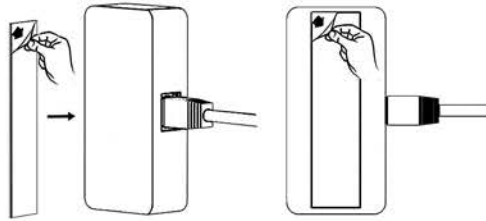
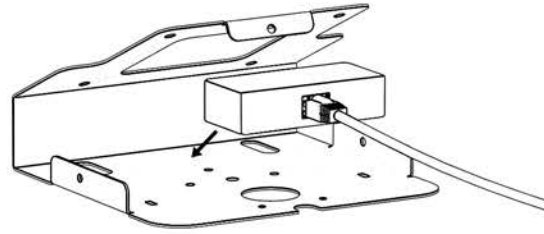


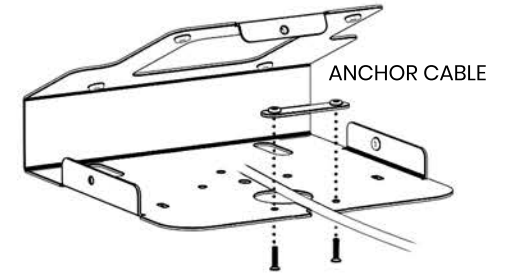
0 IF YOU USE POE



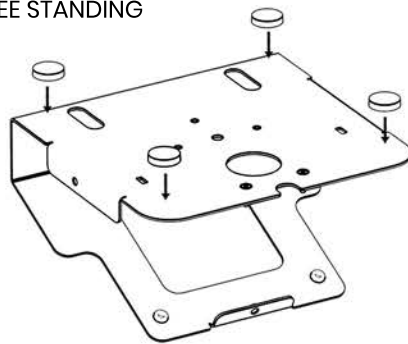
PLACE HERE



1

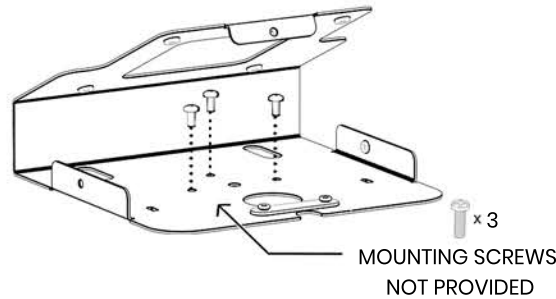


2.1 FREE STANDING



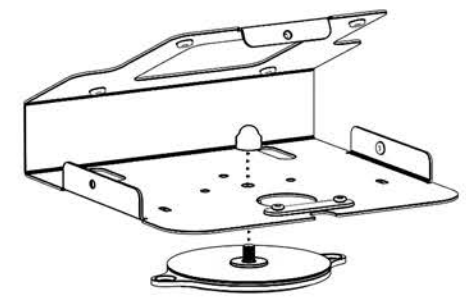
2.2 TABLE MOUNTED

or

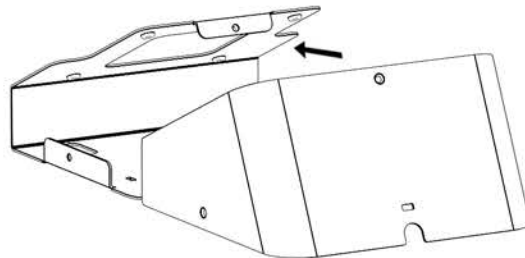


2.3 SWIVEL BASE (optional add on)

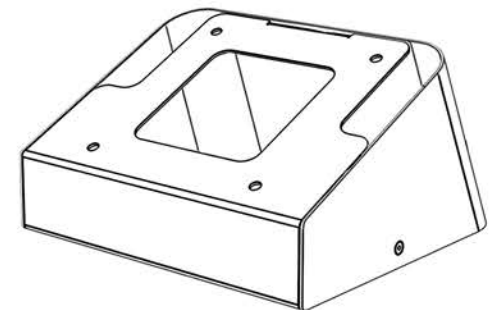
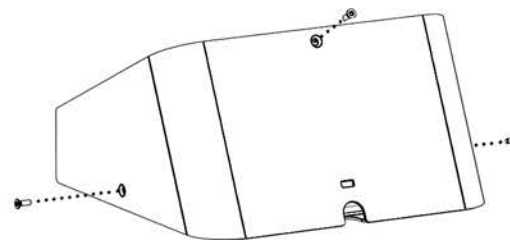
or



5



6



IN THE BOX



Screwdriver



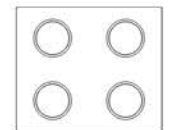
Tamper proof screws



Enclosure mounting screws



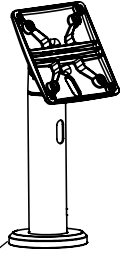
Tape-double sided



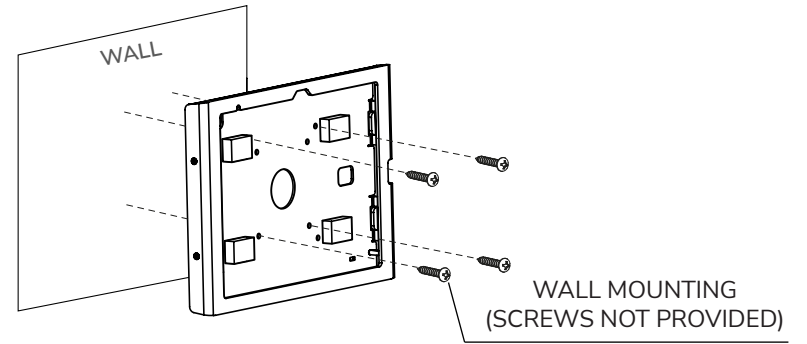
Bumper legs pack

Mounting options

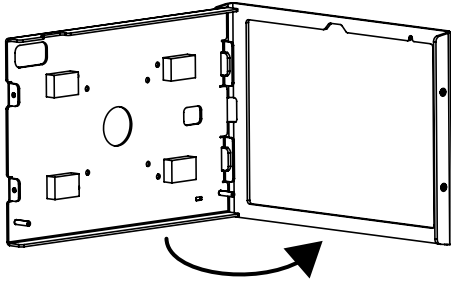
FOLLOW STAND  
MOUNTING INSTRUCTIONS  
(SUPPLIED WITH STANDS)



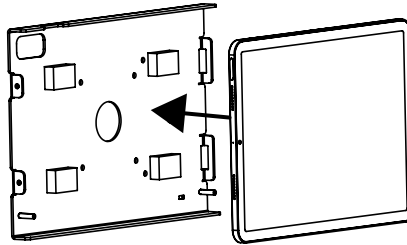
Or



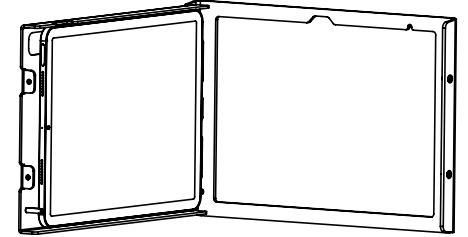
1



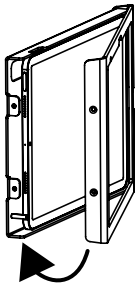
2



3

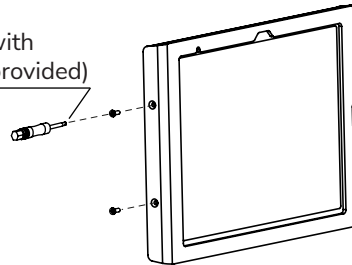


4

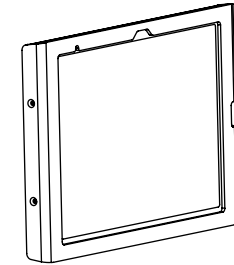


5

Secure with  
M3 screws (provided)



6



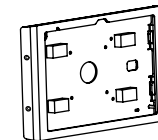
IN THE BOX



Torx Screwdriver



M3x10mm tamper proof screws



Swell enclosure