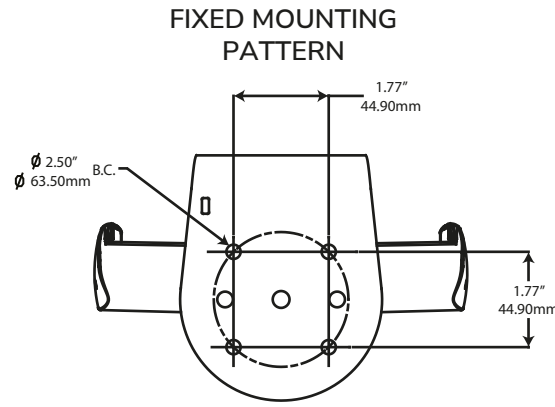
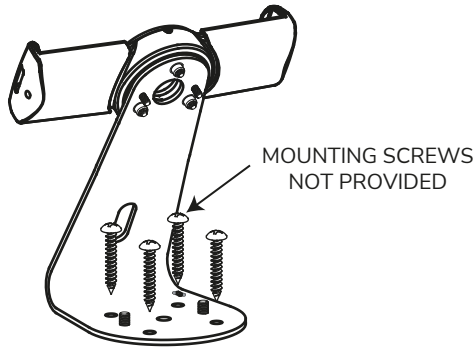
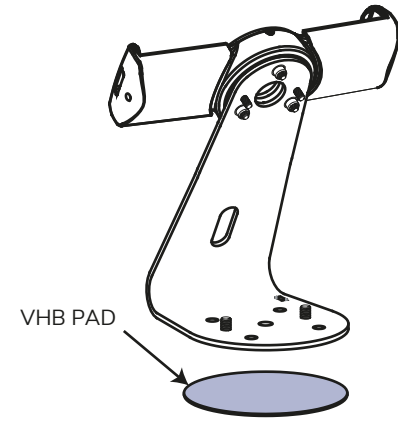


Fixed Mounting

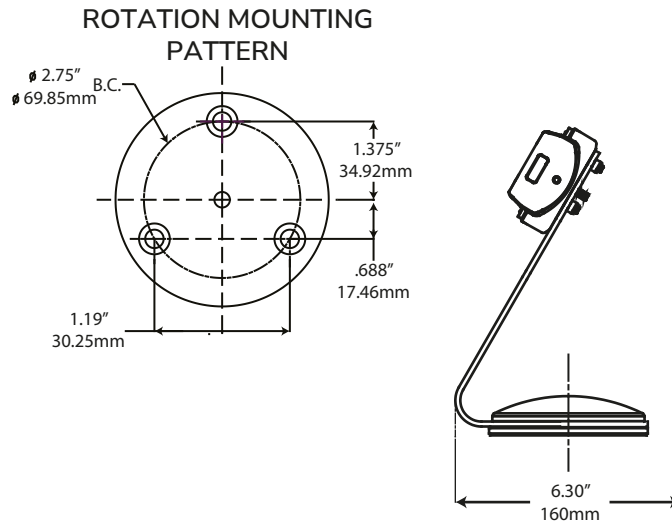
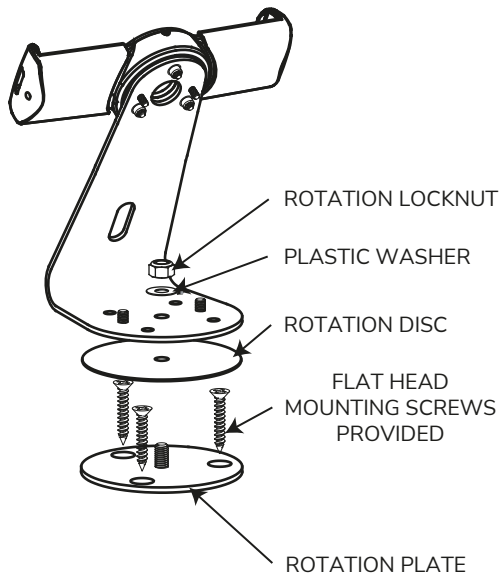


MOUNTING SCREWS NOT PROVIDED

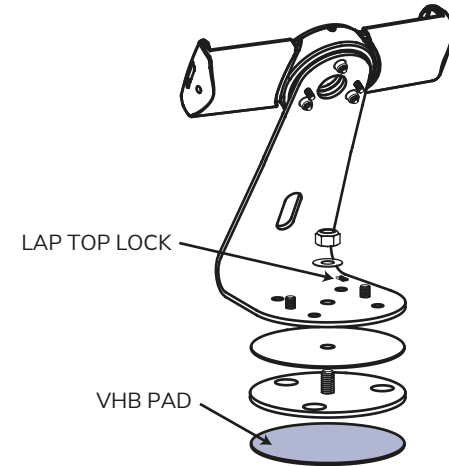


PRIOR TO INSTALL OF VHB PAD
CLEAN BOTH MOUNTING SURFACES
USING ALCOHOL PADS PROVIDED

Rotation Mounting

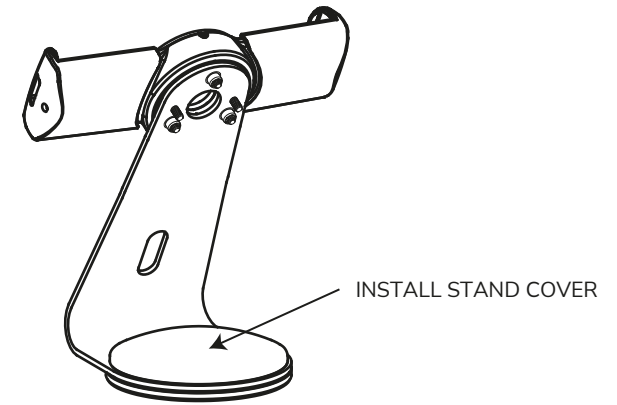
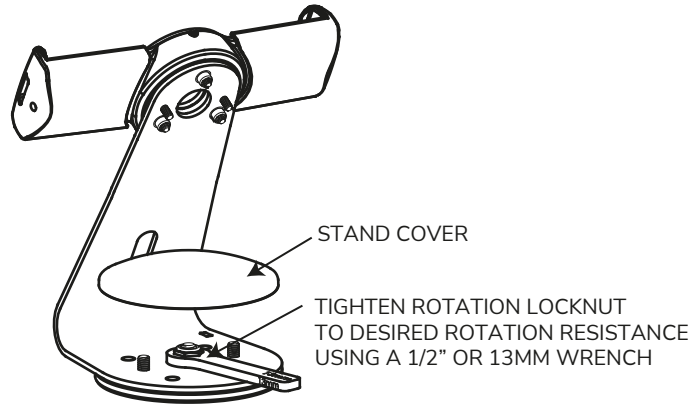


ROTATION CLEARANCE FOR BASE
WITH 360 DEGREES OF ROTATION

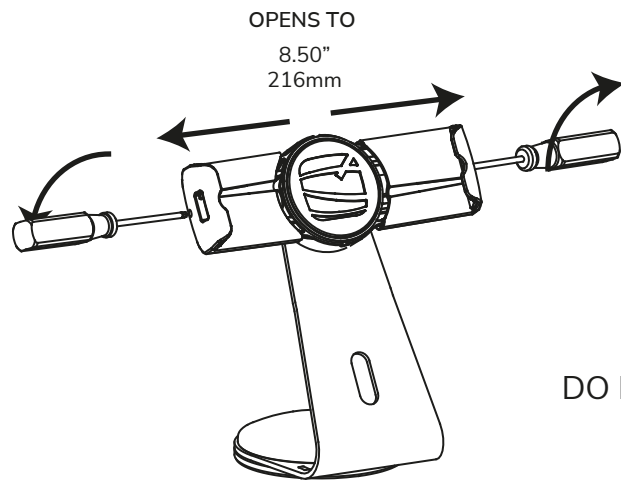


PRIOR TO INSTALL OF VHB PAD
CLEAN BOTH MOUNTING SURFACES
USING ALCOHOL PADS PROVIDED

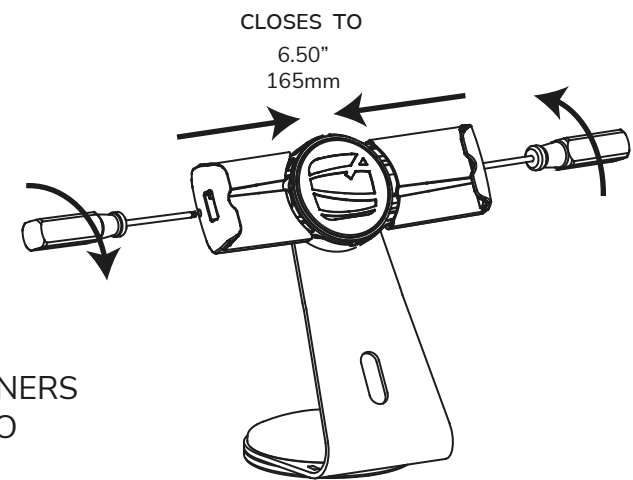
Stand Assembly Rotation



Movement Restrictions

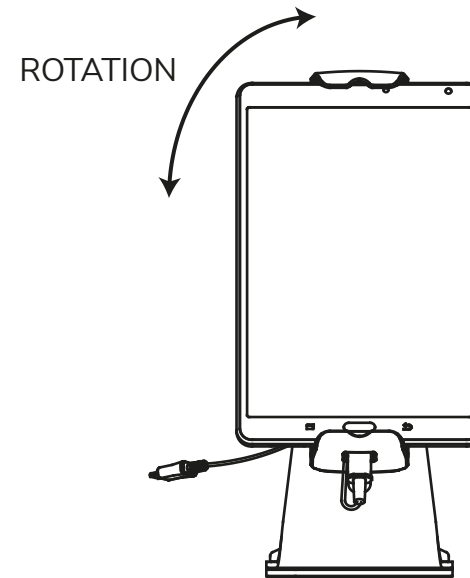
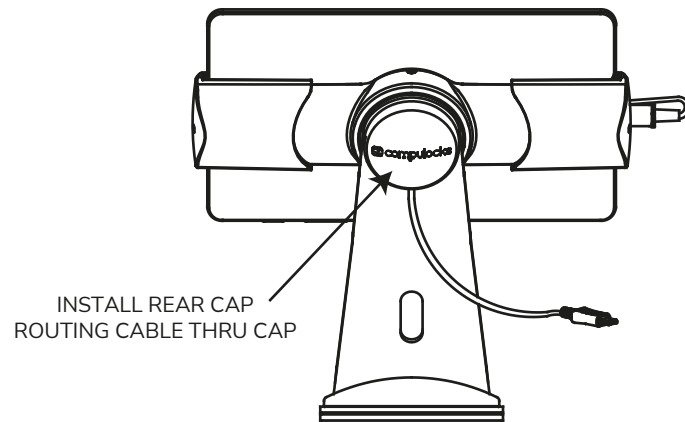
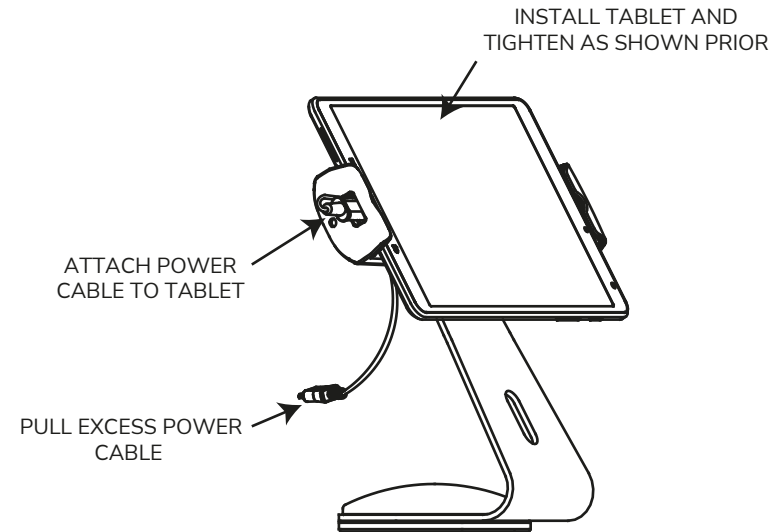
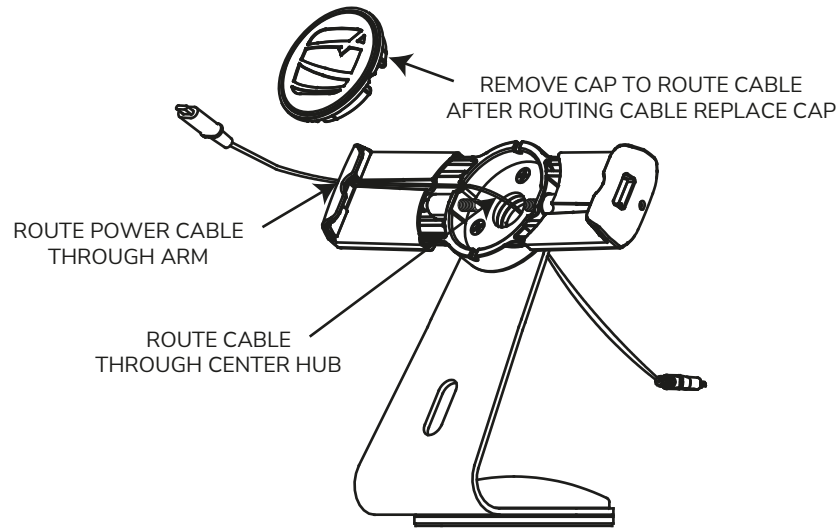


*** CAUTION***
WHEN INSTALLING TABLET
DO NOT OVER TIGHTEN TABLET RETAINERS
OVER TIGHTENING COULD LEAD TO
TABLET DAMAGE



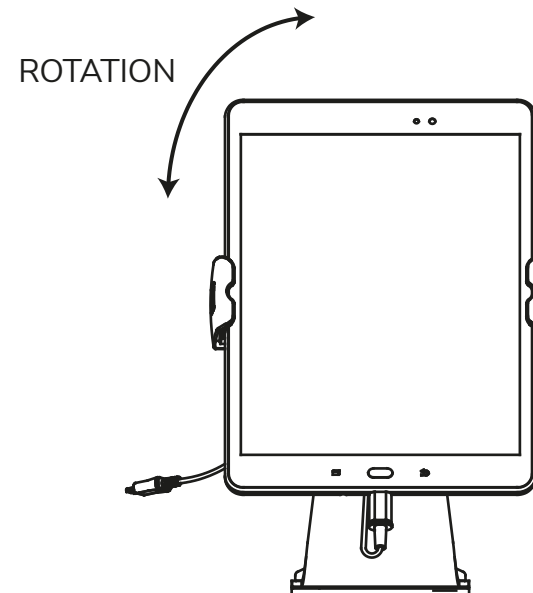
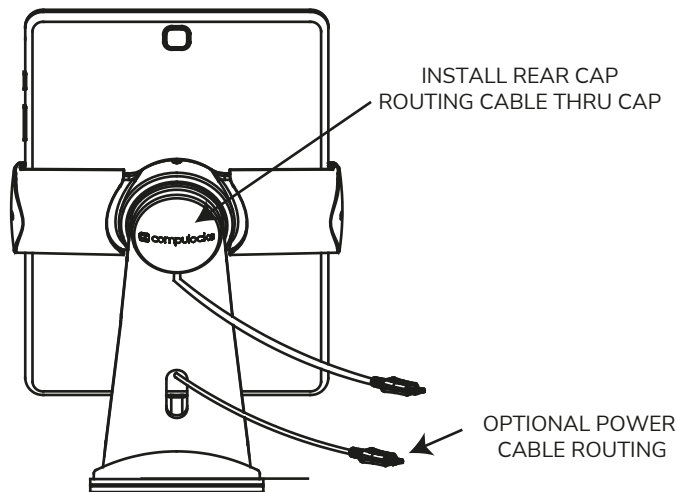
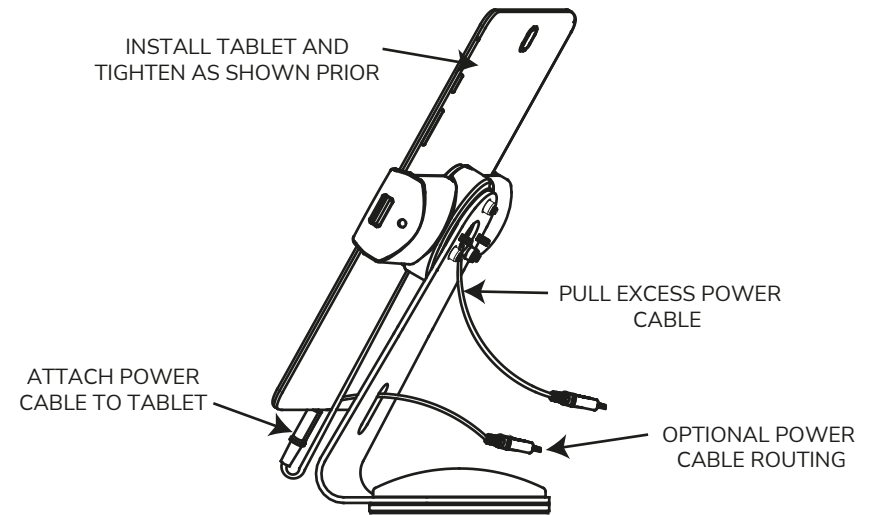
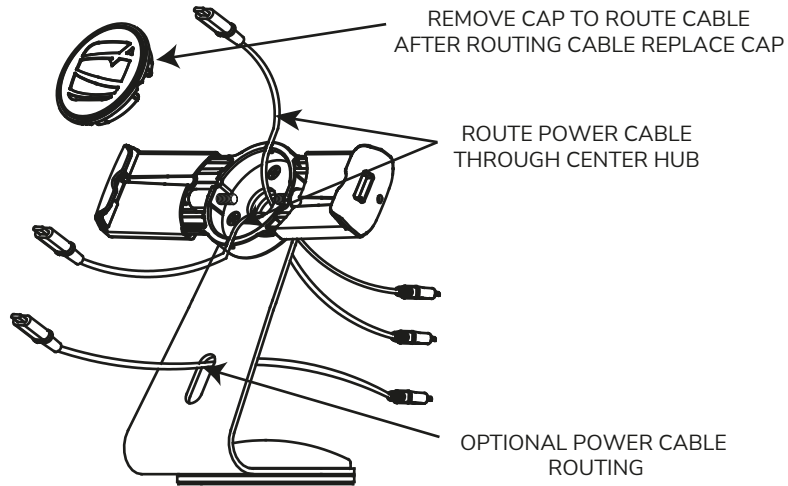
Tablet Landscape Installation

WIRE MANAGEMENT

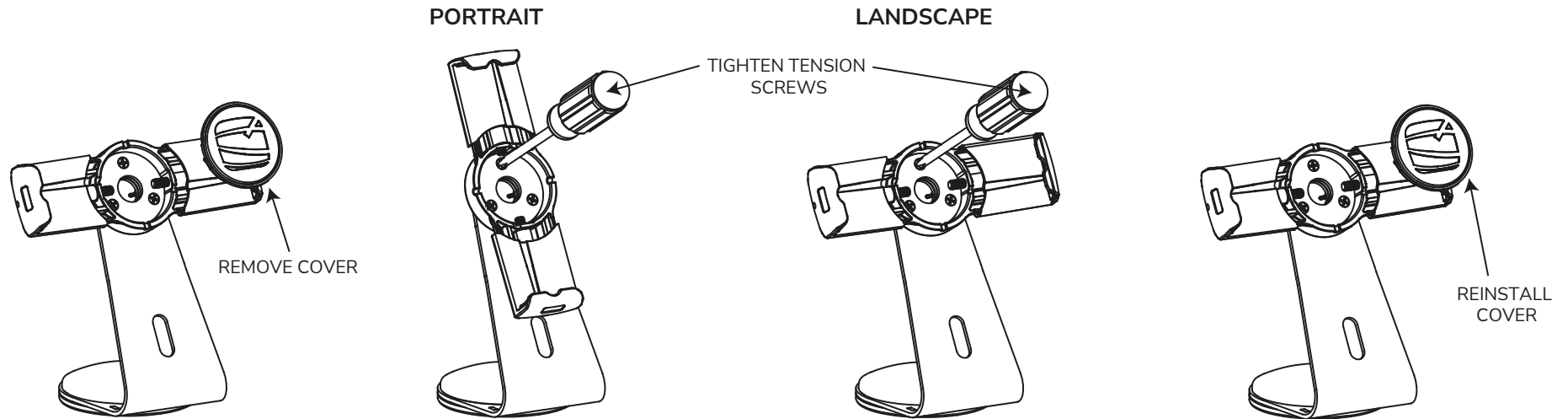


Tablet Portrait Installation

WIRE MANAGEMENT



Fixed Portrait or Landscape Adjustment



ROTATION RESISTANCE ADJUSTMENT

TIGHTEN ALL PHILLIPS FLAT HEAD SCREWS (3 PLACES)
THEN BACK OFF EACH OF THE SCREWS 1/4- 1/3 OF A TURN (3, PLACES)
FOR EASE OF ROTATION FROM LANDSCAPE TO PORTRAIT

Wall Mounting

