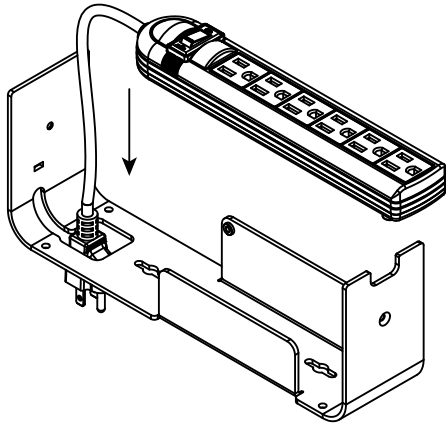


1

POSITION POWER STRIP CABLE THROUGH OUTLET

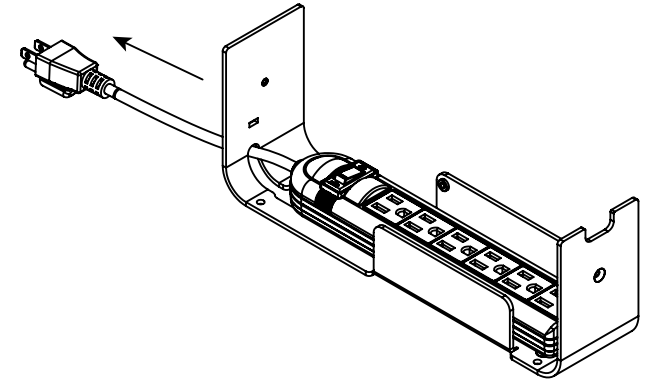


2

FOLLOW PAGE 3 FOR MOUNTING OPTIONS

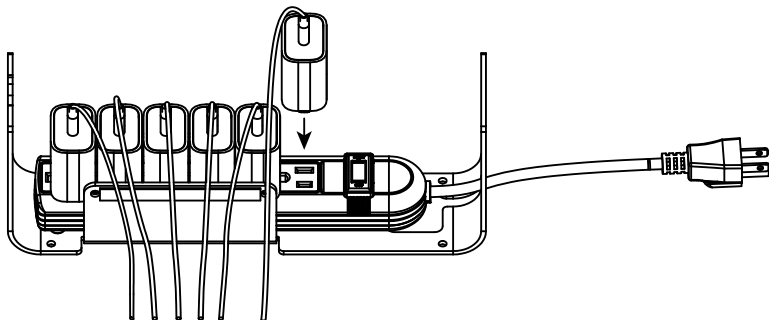
3

PULL EXCESS CABLE TO SECURE POWER STRIP



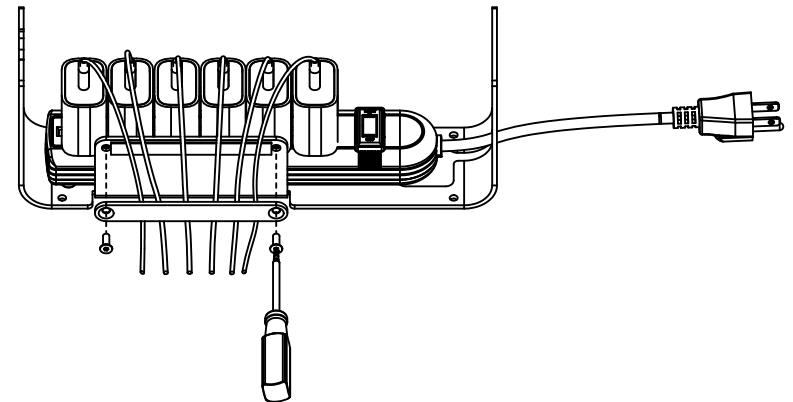
4

CONNECT DEVICES

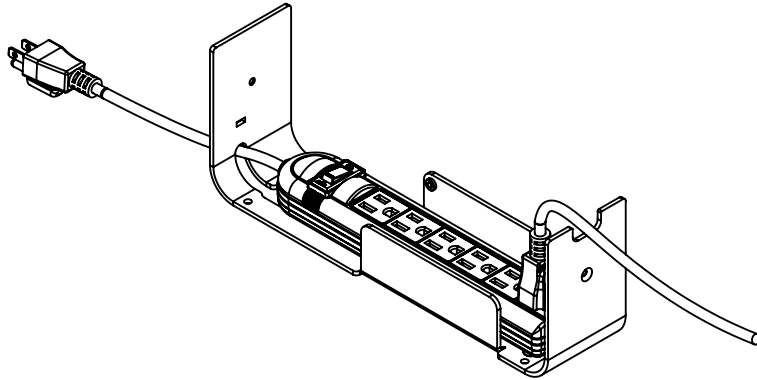


5

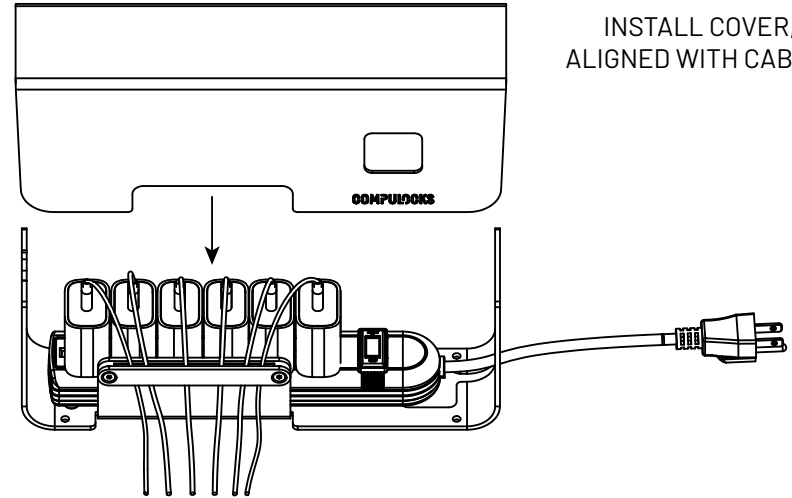
SECURE DEVICE CHARGING CABLES USING CABLE BRIDGE.  
USE M4 x 12mm PIN-in-TORX BUTTON HEAD SCREWS PROVIDED.  
TIGHTEN USING PROVIDED TORX SCREWDRIVER



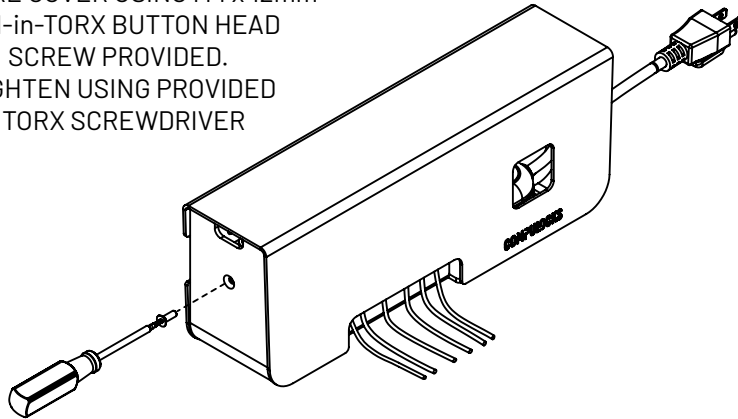
6  
OPTION TO INSTALL UP TO 2 X 10MMØ CABLES THROUGH CUT OUT



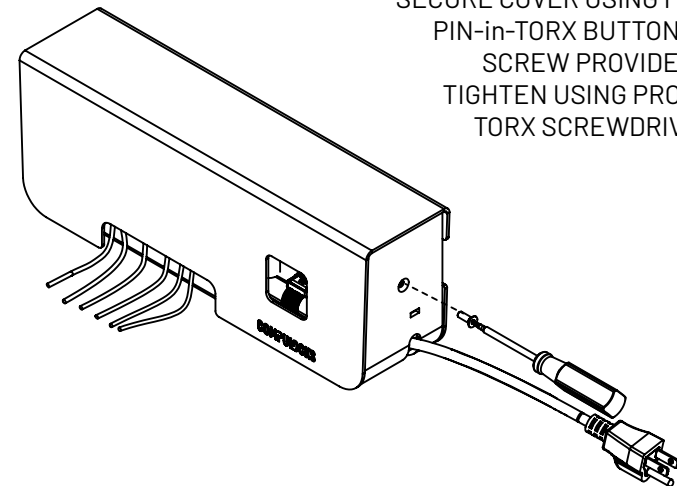
7  
INSTALL COVER, ALIGNED WITH CABLES



8  
SECURE COVER USING M4 x 12mm  
PIN-in-TORX BUTTON HEAD  
SCREW PROVIDED.  
TIGHTEN USING PROVIDED  
TORX SCREWDRIVER



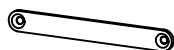
9  
SECURE COVER USING M4 x 12mm  
PIN-in-TORX BUTTON HEAD  
SCREW PROVIDED.  
TIGHTEN USING PROVIDED  
TORX SCREWDRIVER



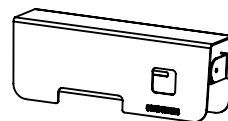
IN THE BOX



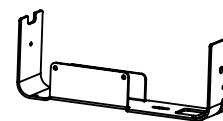
Hardware Kit



Cable Bridge



PowerStrip Cover

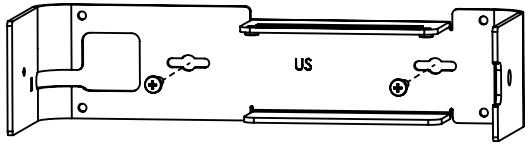


PowerStrip Base



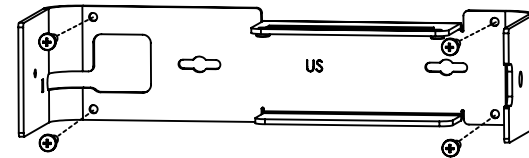
Power strip

## Wall Mounting



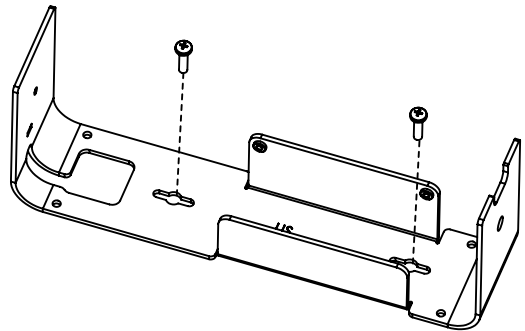
KEYHOLE MOUNTING

MOUNTING SCREWS  
NOT PROVIDED



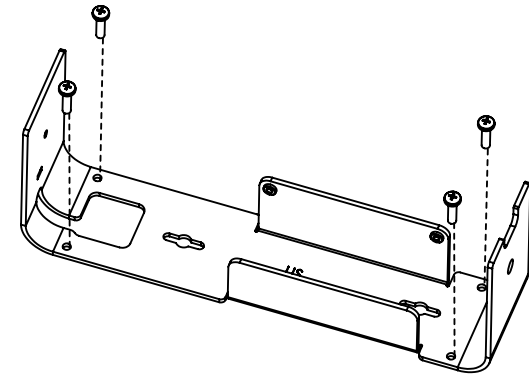
REGULAR MOUNTING

## Counter Mounting



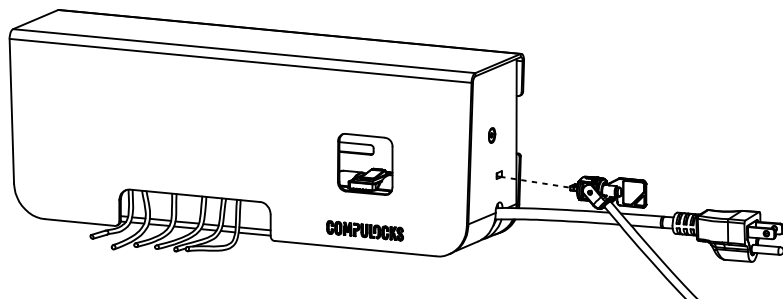
KEYHOLE MOUNTING

MOUNTING SCREWS  
NOT PROVIDED



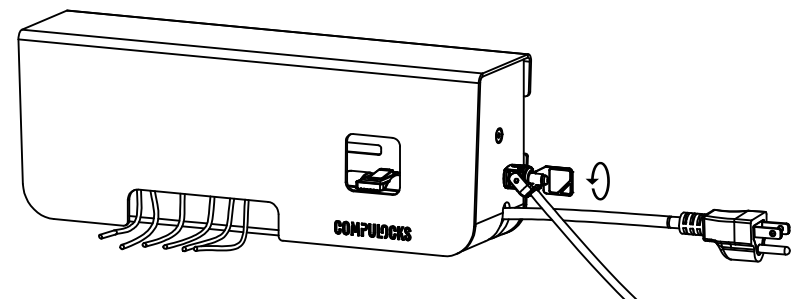
REGULAR MOUNTING

## Free Standing



IDENTIFY LOCK SLOT

OPTIONAL  
CABLE LOCK



PUSH, ROTATE 90° TO LOCK