

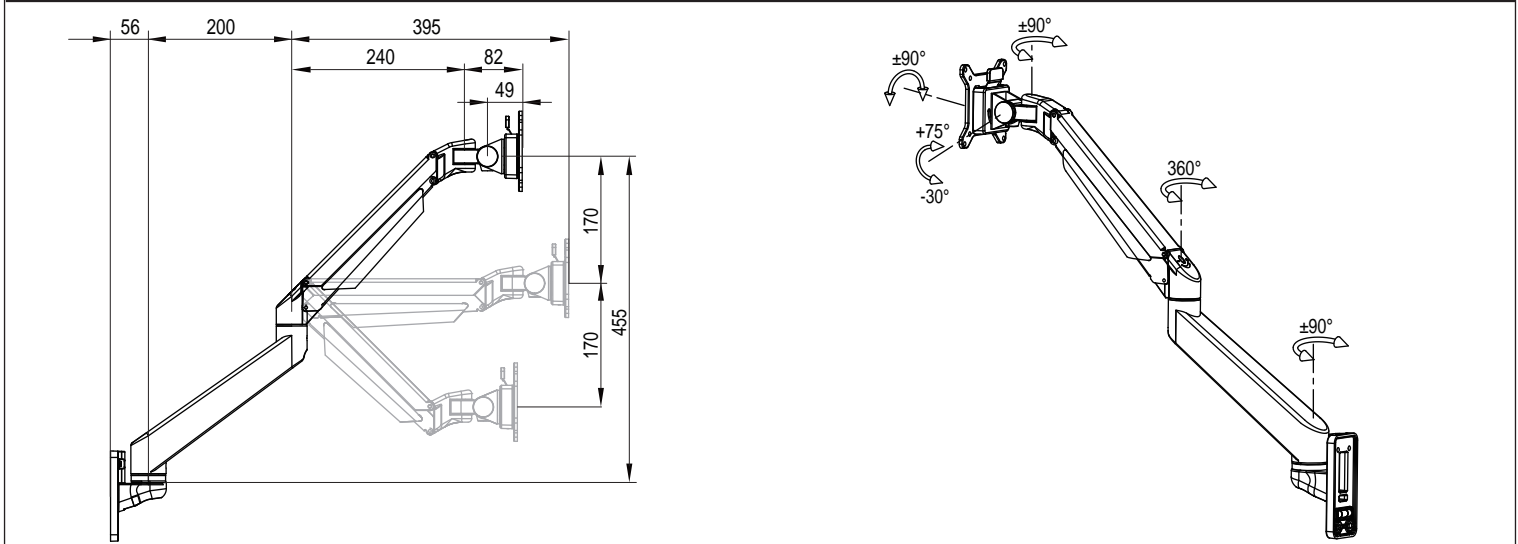
# LCD Monitor Arm // Installation Manual

Product name: Articulating Monitor Arm Mount - Reach SKU:660REACH

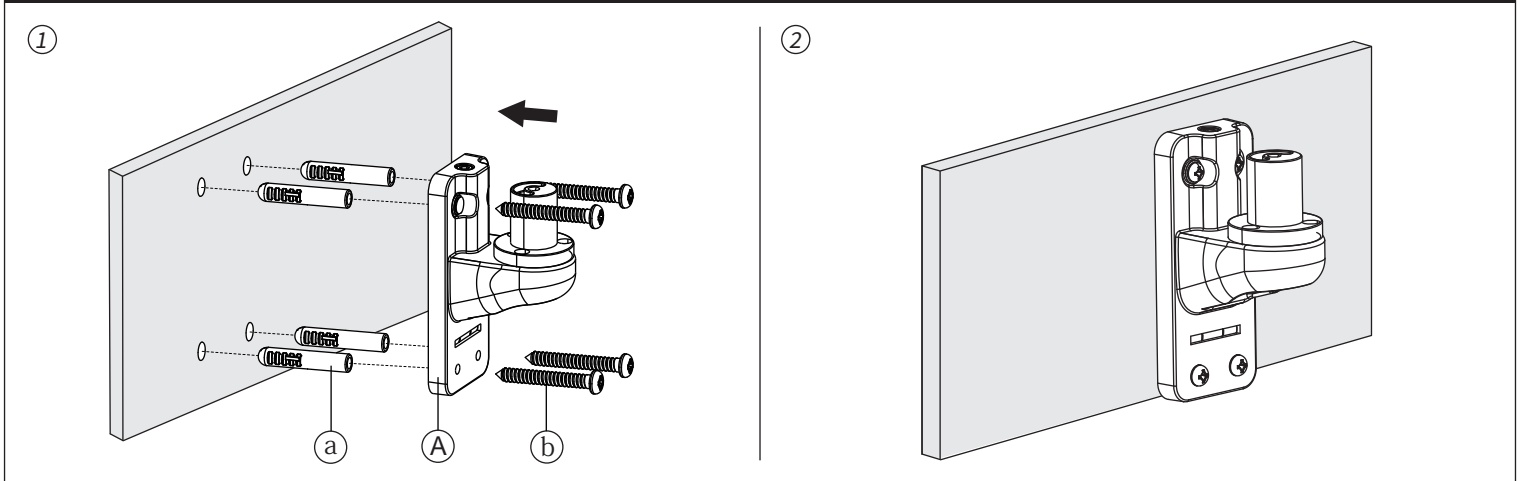
## Product Specification

|               |              |                   |          |            |        |       |       |                    |            |            |                  |
|---------------|--------------|-------------------|----------|------------|--------|-------|-------|--------------------|------------|------------|------------------|
| Sketch        |              |                   |          |            |        |       |       |                    |            |            |                  |
| Item          | Monitor size | Weight range (kg) | Lift(mm) | Tilt       | Swivel | Pivot | VESA  | Packing size (mm)  | N.W(kg)    | G.W(kg)    | Hole layout (mm) |
| Specification | ≤30°         | 2-10              | 340      | +75°~ -30° | ±90°   | ±90°  | 75*75 | Inner: 475*195*140 | Inner: 2.6 | Inner: 3.1 | 28.6x104         |
|               |              | 8-20              |          |            |        |       |       | Outer: 490*210*440 |            |            |                  |

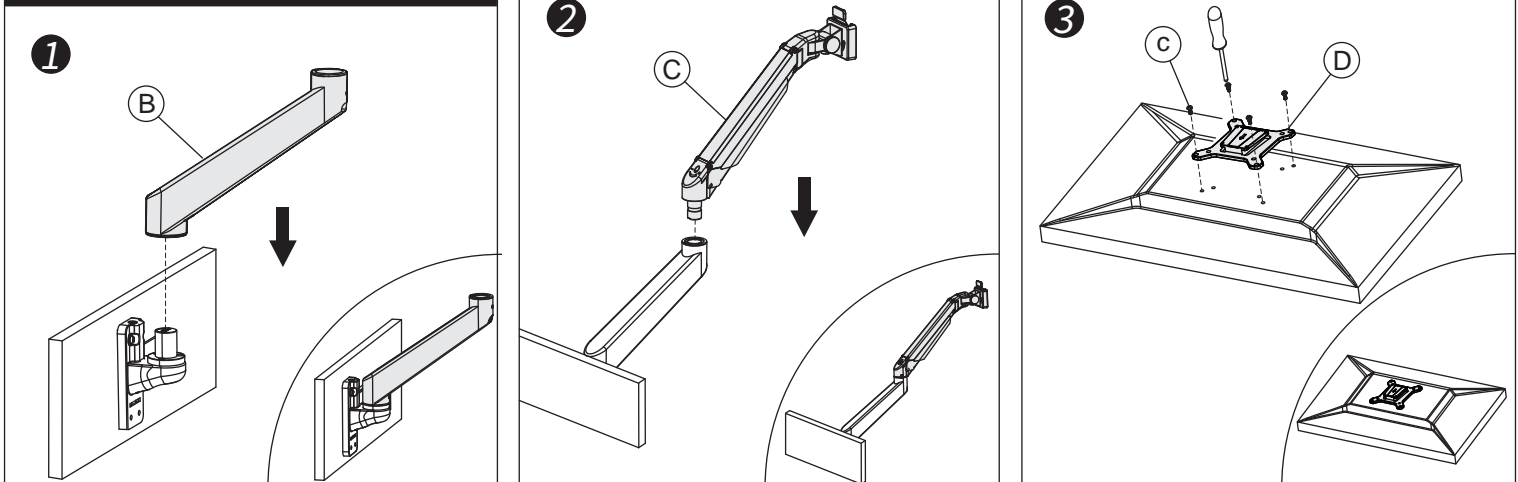
## Product Size

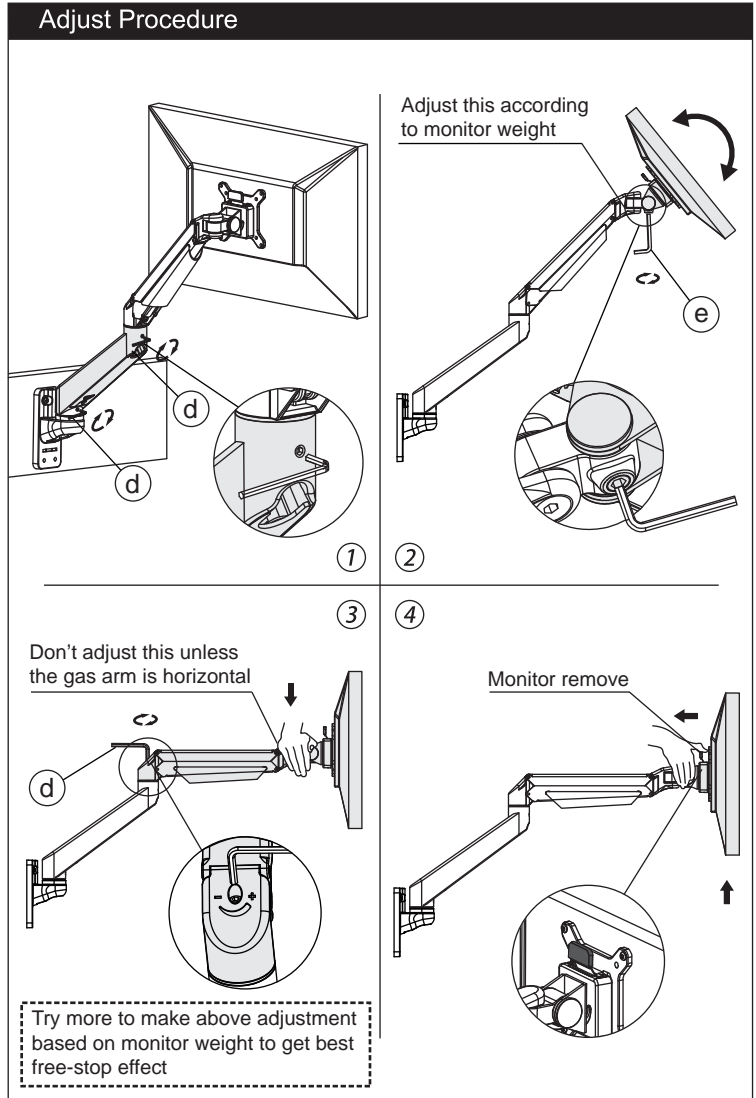
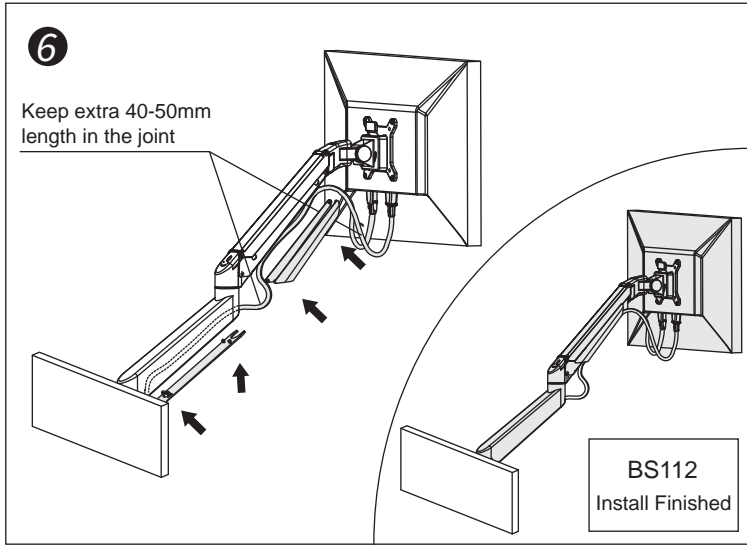
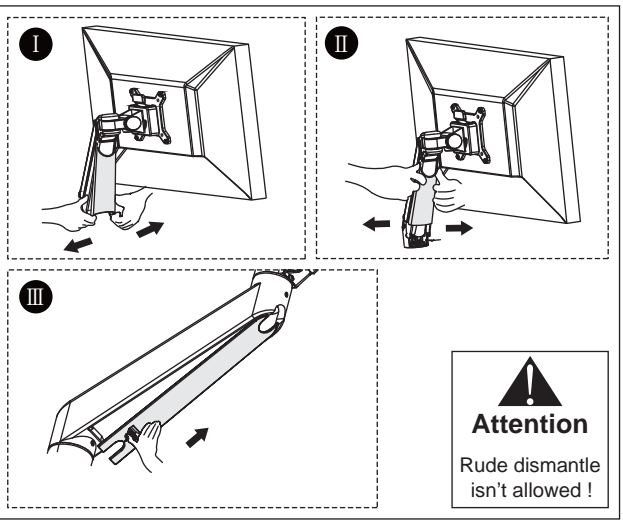
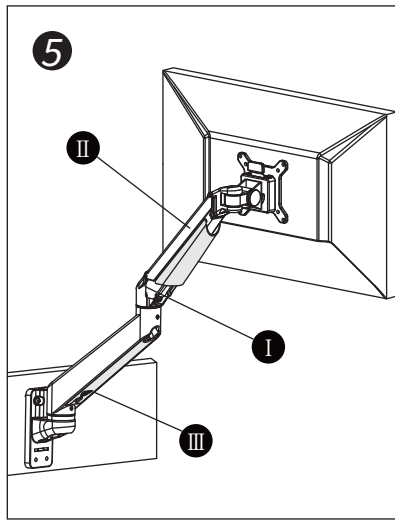
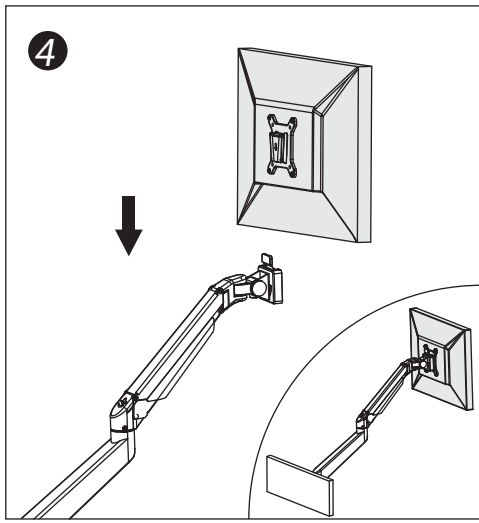


## Installation of Wall-fixed Base



## Install Procedure





| Module List |        |       |          |
|-------------|--------|-------|----------|
| No.         | Sketch | Specs | Quantity |
| A           |        |       | 1        |
| B           |        |       | 1        |
| C           |        |       | 1        |
| D           |        |       | 1        |

| Part List |        |        |          |
|-----------|--------|--------|----------|
| No.       | Sketch | Specs  | Quantity |
| a         |        | Ø10x40 | 4        |
| b         |        | M6x40  | 4        |
| c         |        | M4x12  | 4        |
| d         |        | M4     | 1        |
| e         |        | M6     | 1        |

Assembly Instructions

