

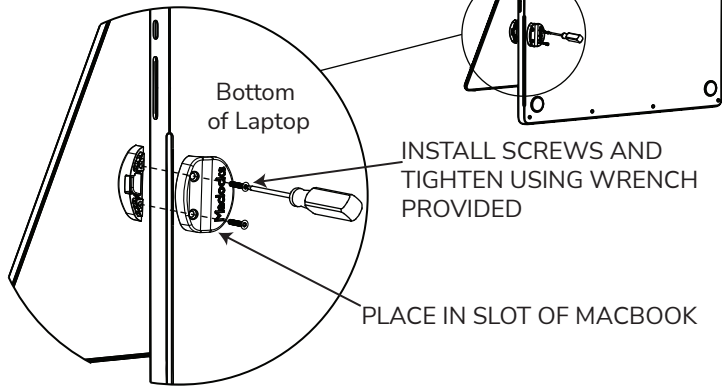
MacBook Pro (16-inch, 2021) Ledge Adapter



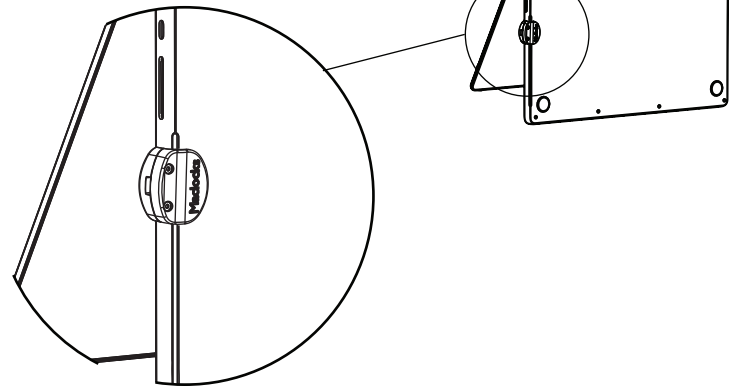
SKU:MBPR16LDG02

Assembly Instructions

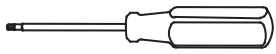
1



2



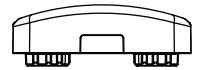
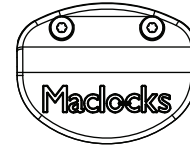
IN THE BOX



Torx driver T-7



Attachment Screws
(Only two screws are required)



Ledge two parts

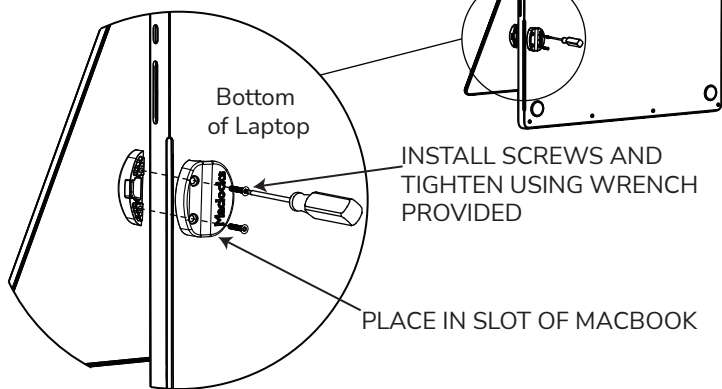
MacBook Pro (16-inch, 2021) Ledge Adapter



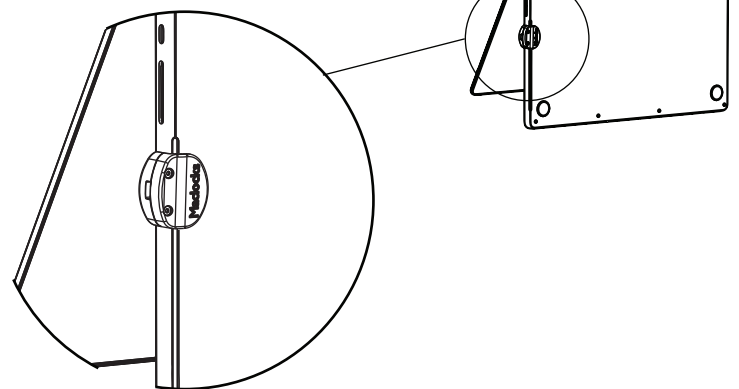
SKU:MBPR16LDG02

Assembly Instructions

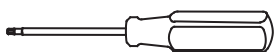
1



2



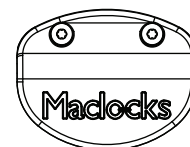
IN THE BOX



Torx driver T-7



Attachment Screws
(Only two screws are required)



Ledge two parts