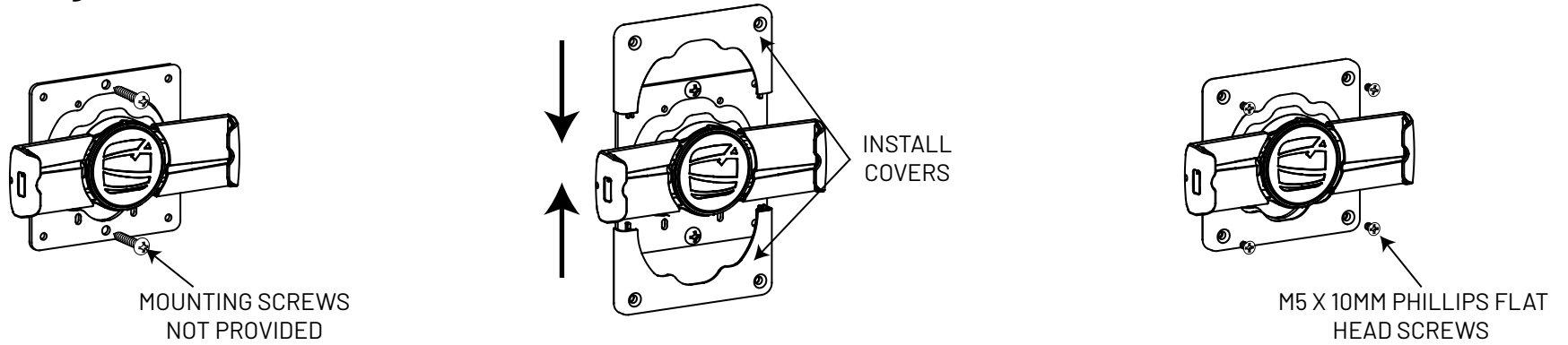
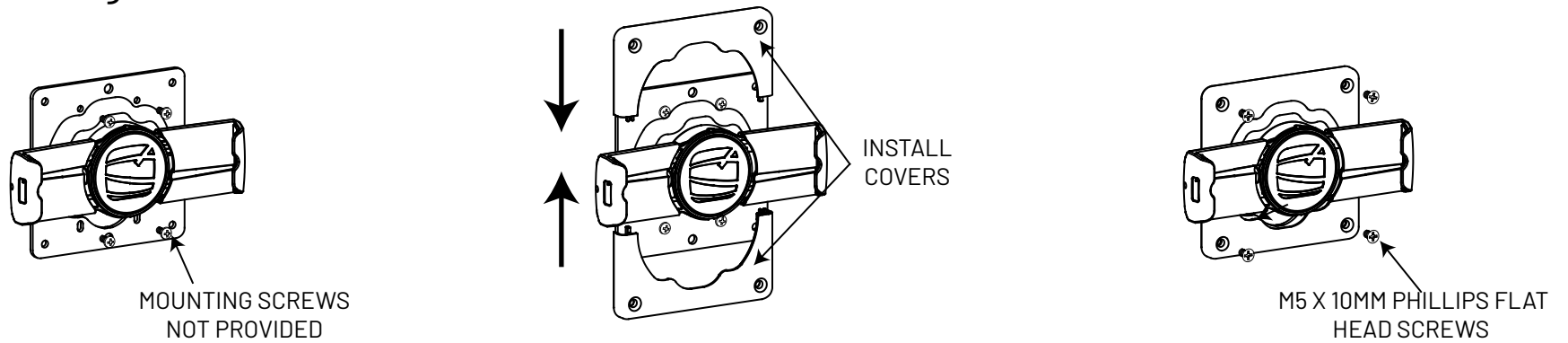


Wall Mounting



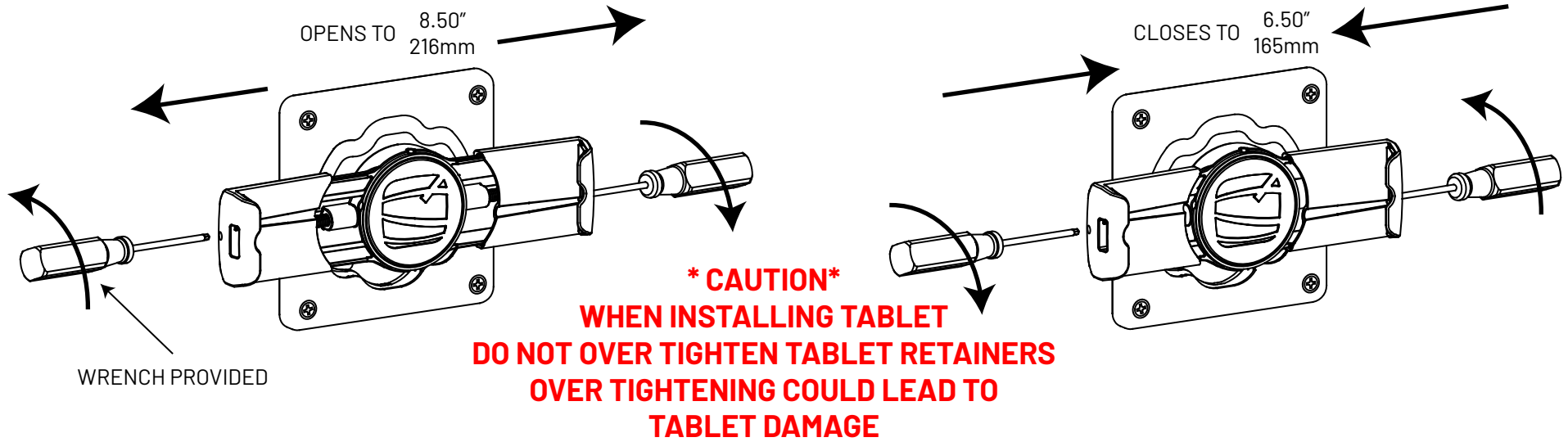
J-Box Mounting



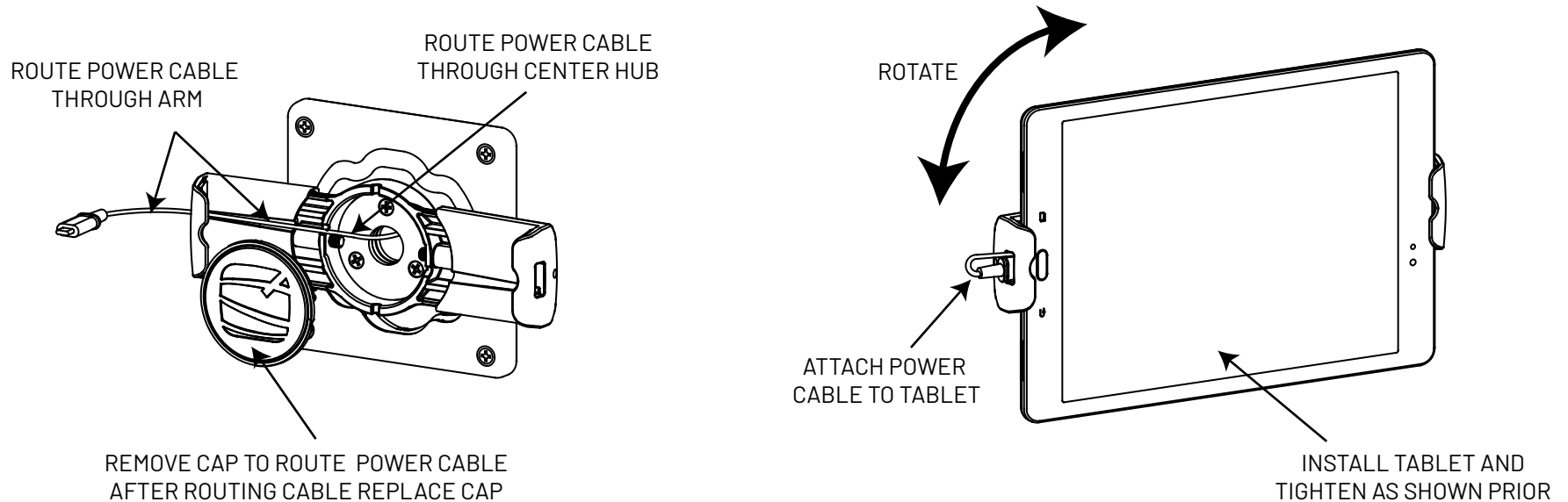
100mm Vesa Mounting



### Minimum and Maximum Opening of Mount

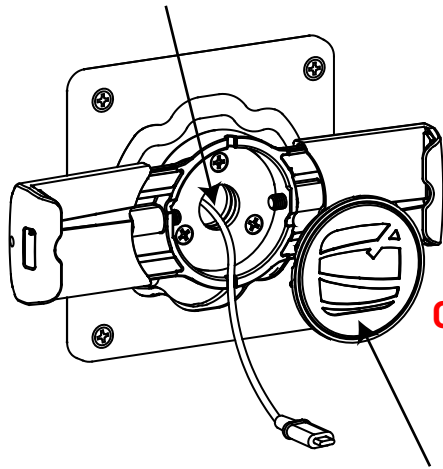


### Tablet Portrait Installation



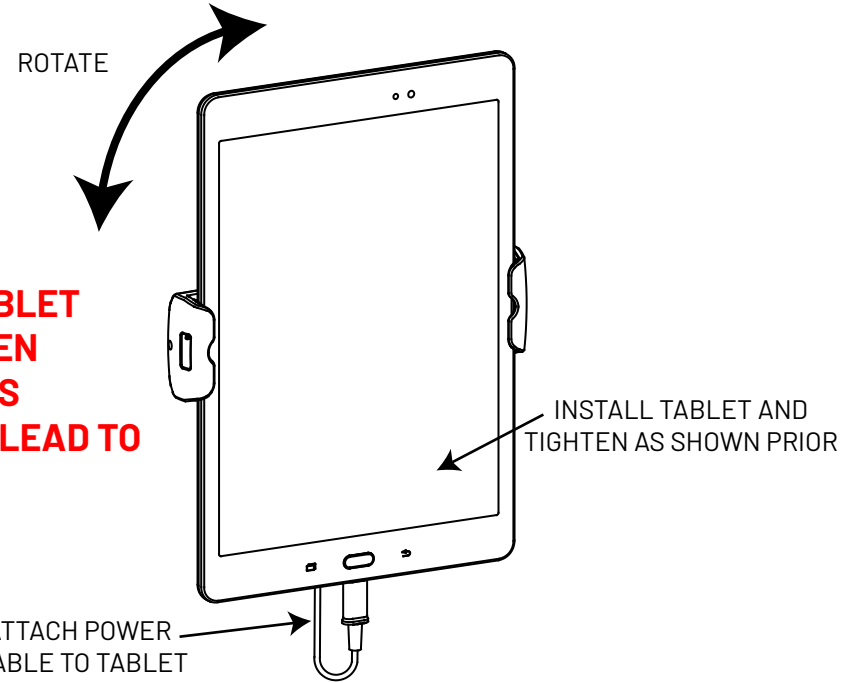
### Tablet Landscape Installation

ROUTE POWER CABLE THROUGH CENTER HUB

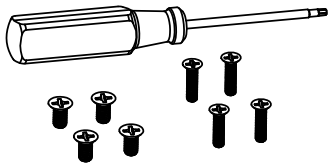


REMOVE CAP TO ROUTE POWER CABLE AFTER ROUTING CABLE REPLACE CAP

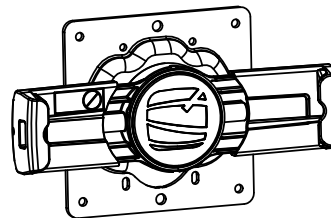
**\* CAUTION\***  
**WHEN INSTALLING TABLET**  
**DO NOT OVER TIGHTEN**  
**TABLET RETAINERS**  
**OVER TIGHTENING COULD LEAD TO**  
**TABLET DAMAGE**



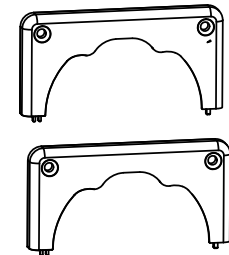
### IN THE BOX



Hardware Kit



Cling VESA 100mm



Covers