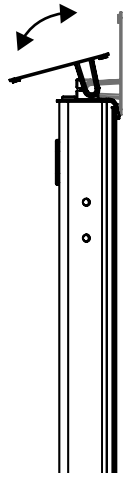


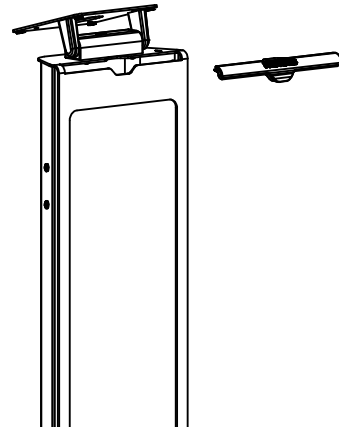
1

TILT VESA MOUNTING PLATE



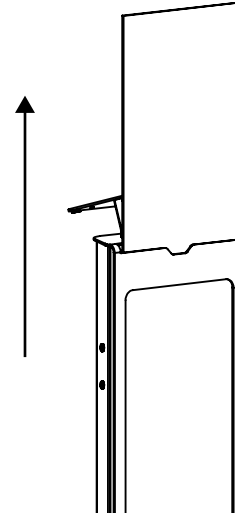
2

REMOVE RUBBER CAP



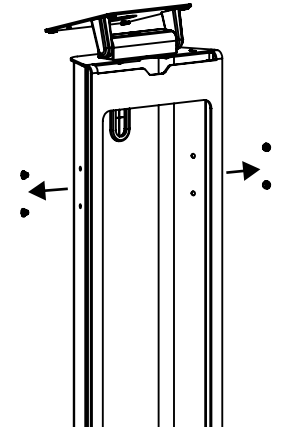
3

REMOVE COVER PANEL



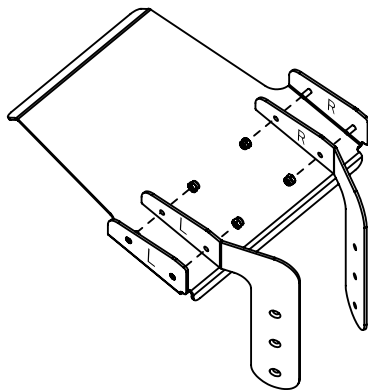
4

REMOVE RUBBER CAPS



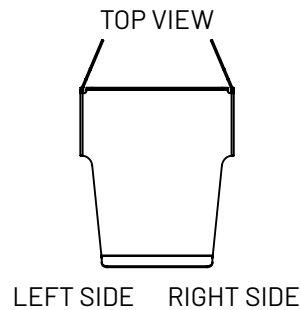
5

ASSEMBLE WINGS AS SHOWN - L TO L AND R TO R USING 4 NUTS (PROVIDED)



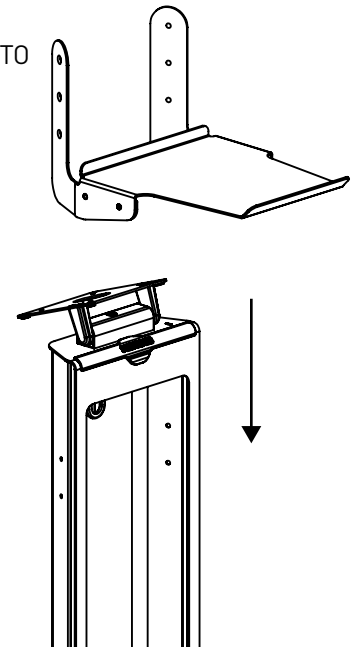
6

TURN PRINTER TRAY - ENSURE IT IS AS PER BELOW



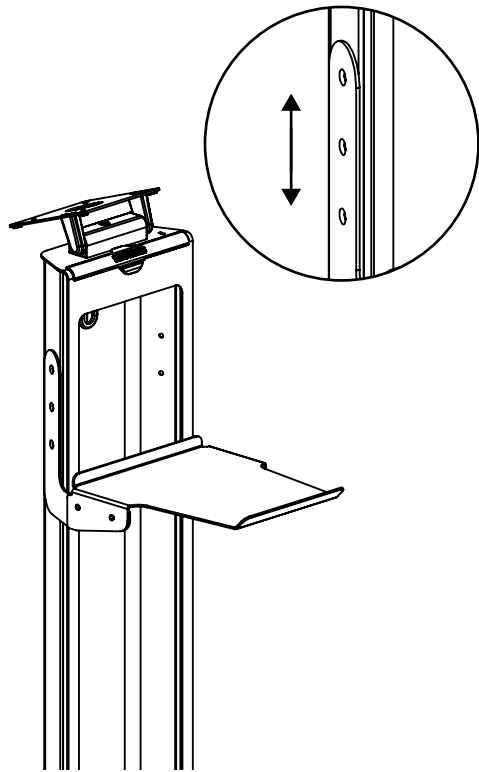
7

SLIDE PRINTER TRAY ONTO THE BRANDME STAND



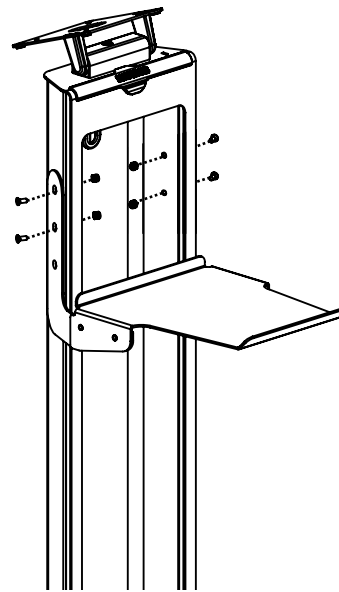
8

SELECT FROM HEIGHT OPTIONS



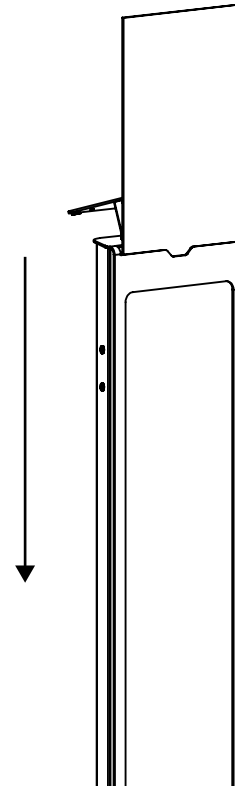
9

TIGHTEN 4 SCREWS AND NUTS (PROVIDED) - 2 PER SIDE

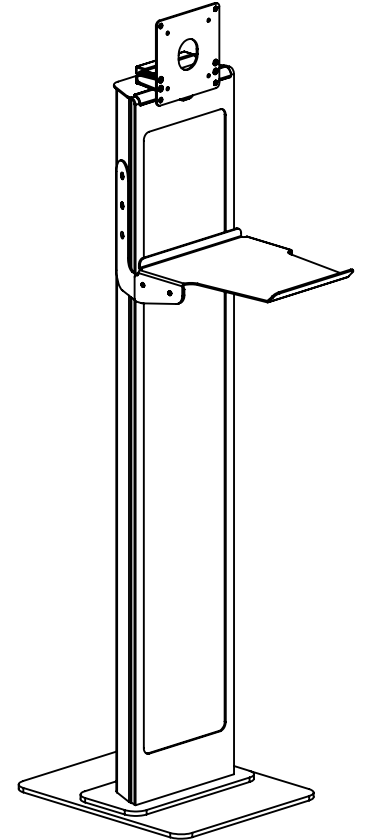


10

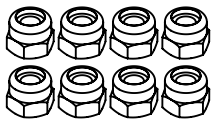
REPLACE COVER PANEL AND THEN REPLACE RUBBER CAP



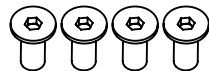
11



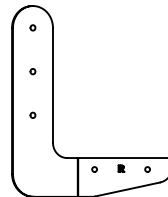
In The Box



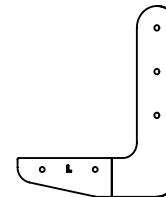
M4 Nuts



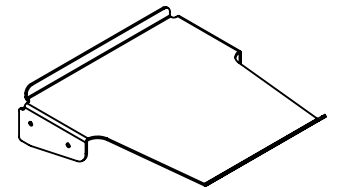
M4X10mm Screws



Right Wing



Left Wing



Printer Tray Body