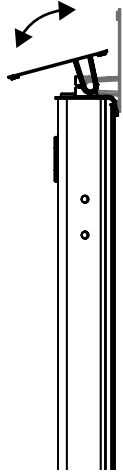


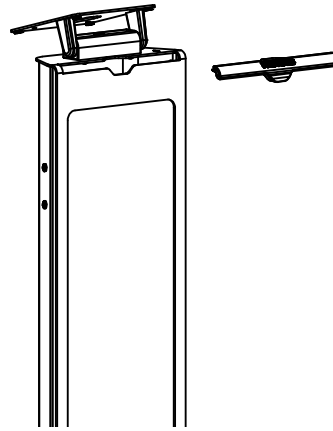
1

TILT VESA MOUNTING PLATE



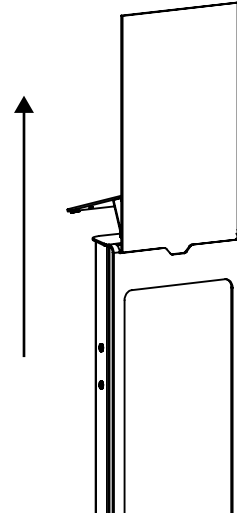
2

REMOVE RUBBER CAP



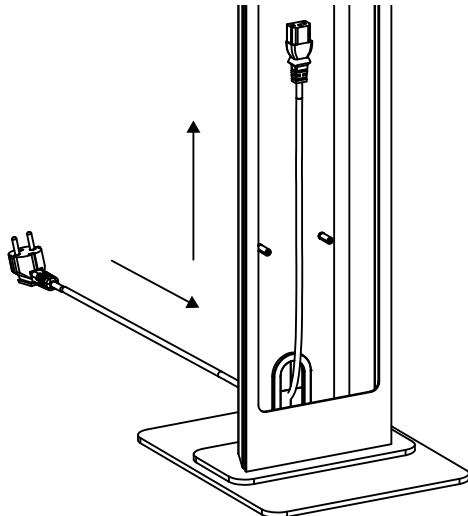
3

REMOVE COVER PANEL



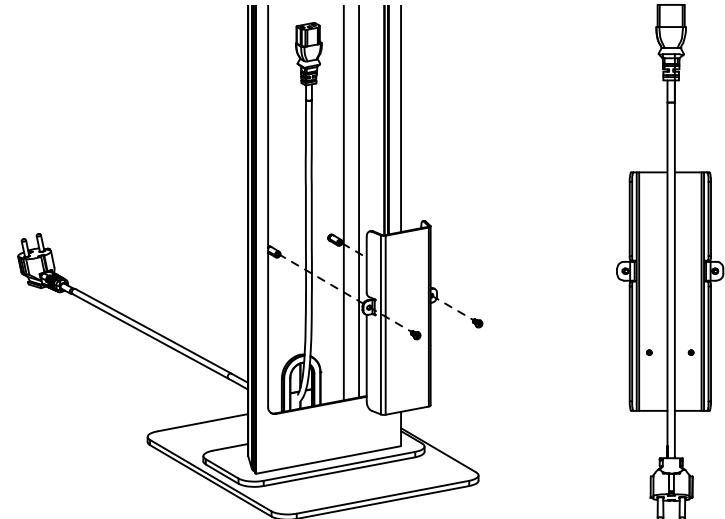
4

INSERT C13 PLUG CABLE THROUGH BACK EXIT AND BETWEEN STUDS



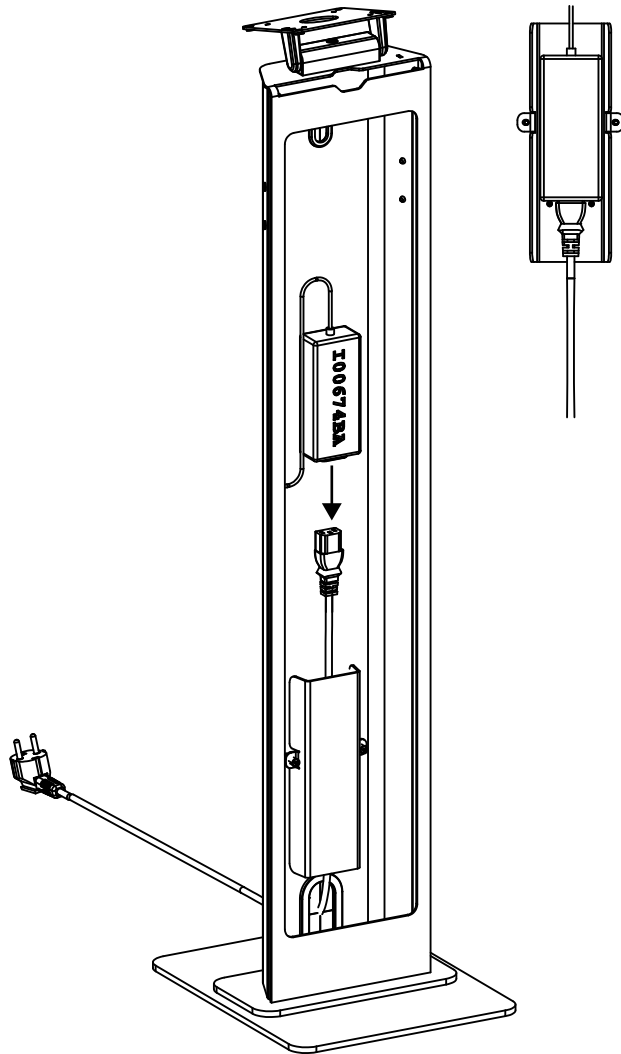
5

ASSEMBLE COVER PLATE USING SCREWS (PROVIDED)  
NOTICE STUDS ARE ON THE BOTTOM



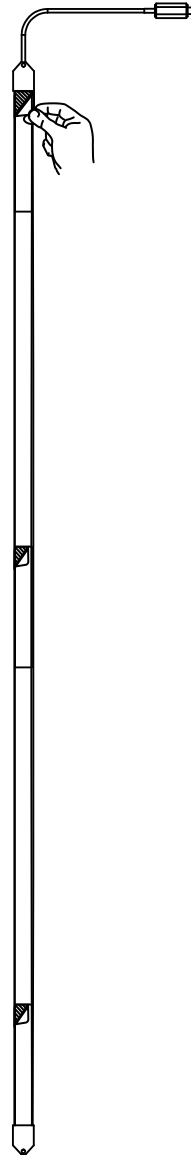
6

CONNECT POWER CABLE TO ADAPTER AND SLIDE BEHIND THE COVER PLATE



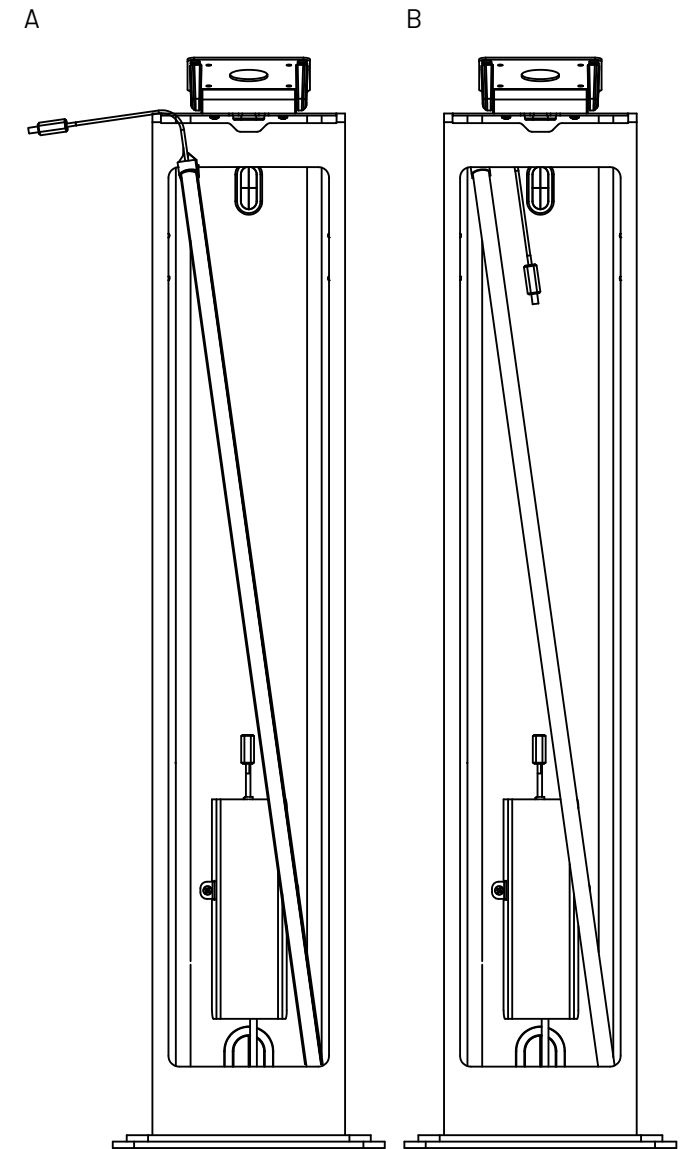
7

REMOVE STICKER COVERS FROM LIGHT STRIP



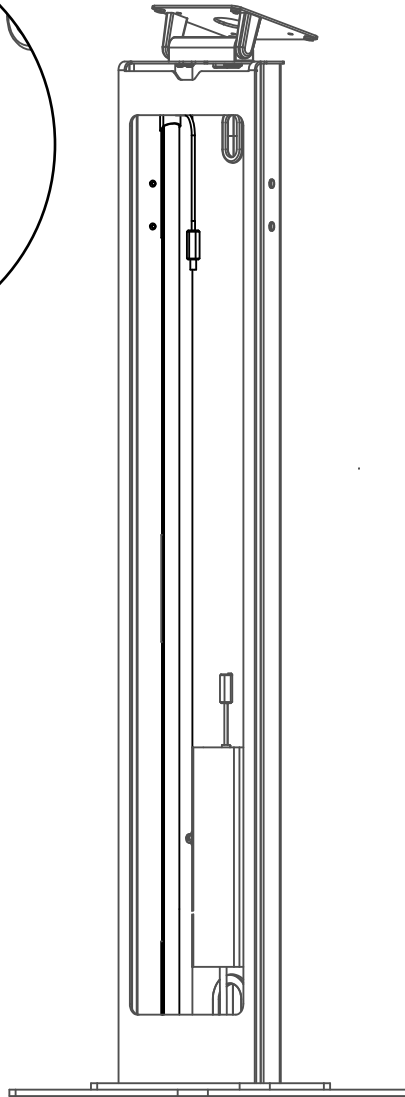
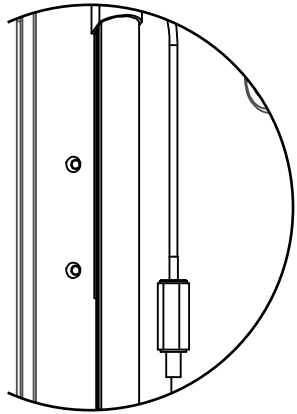
8

INSERT LIGHT STRIP DIAGONALLY FROM THE BOTTOM CORNER



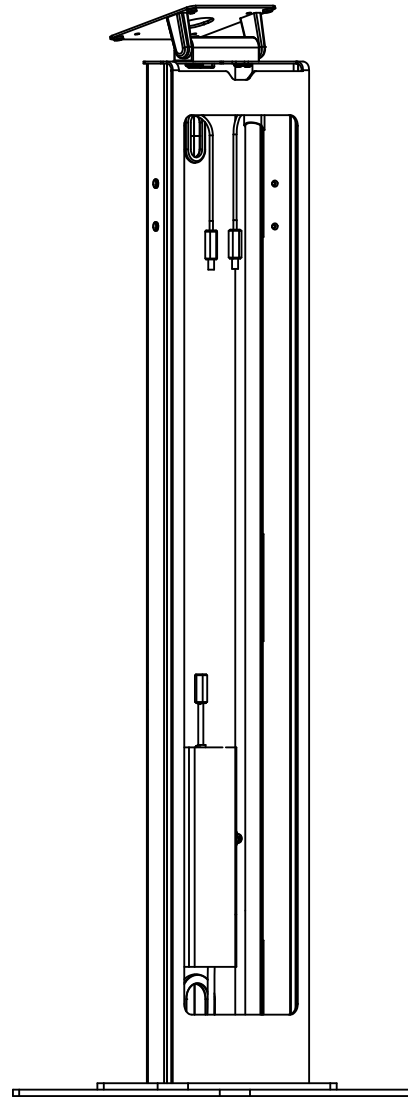
9

MOVE LIGHT STRIP TO UPRIGHT AND STICK TO BACK PANEL - LEAVE 3mm SPACE FROM SCREWS



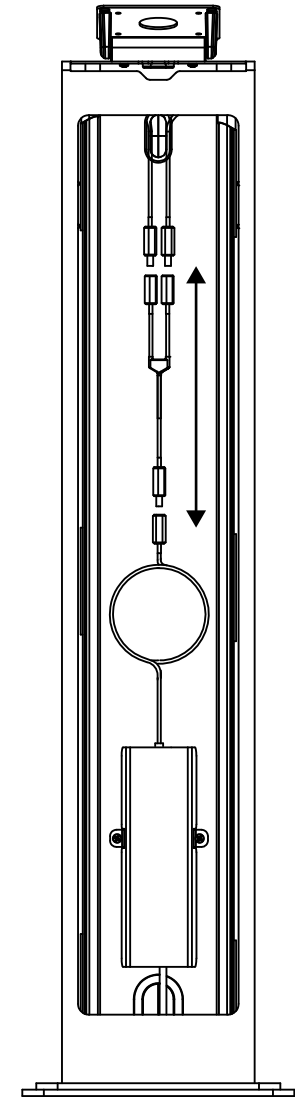
10

REPEAT STEPS 7-9 WITH SECOND LIGHT STRIP



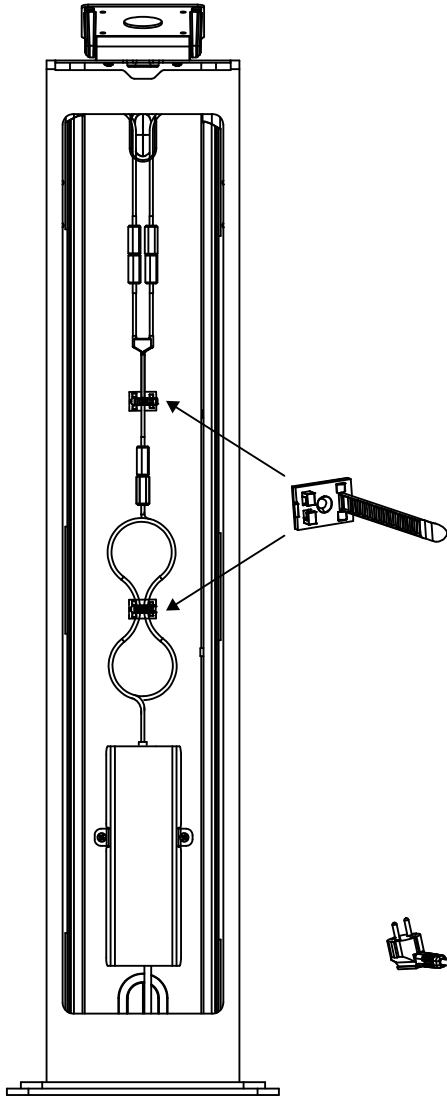
11

CONNECT Y CABLE TO POWER ADAPTER AND THEN TO BOTH LIGHT STRIPS



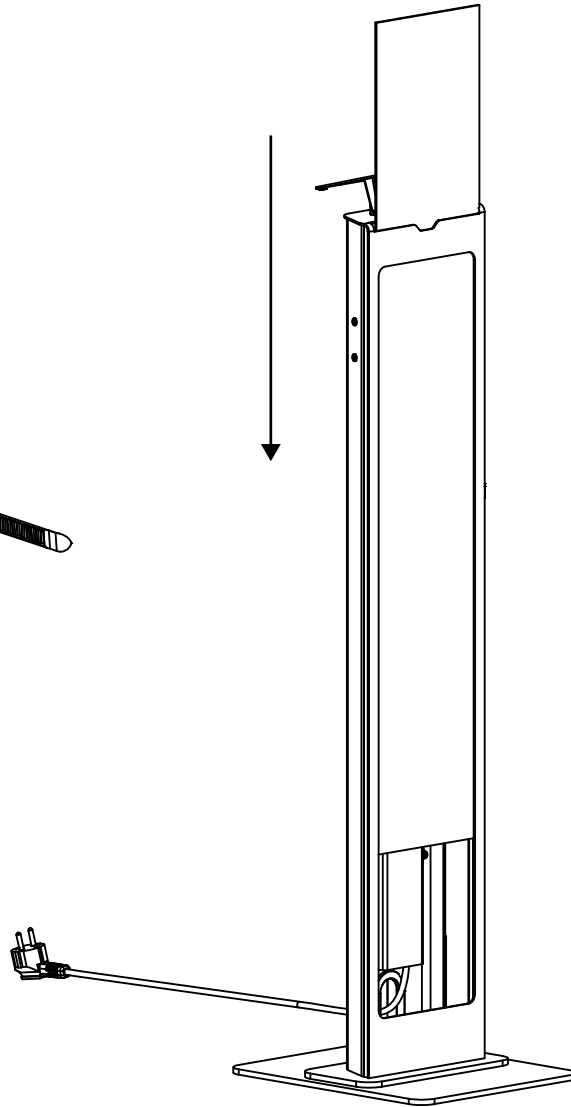
12

STICK CABLE TIES (PROVIDED) TO BACK OF STAND  
AND FASTEN TO HOLD AND ORGANIZE CABLE

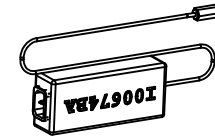


13

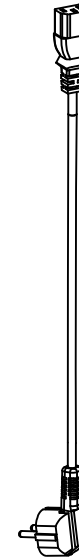
REPLACE COVER PANEL  
AND THEN REPLACE RUBBER CAP



In The Box



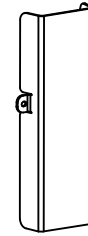
Power Supply



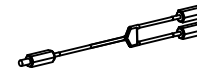
AC - C13 Cable  
Origin Compatible



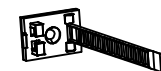
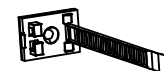
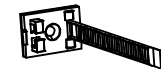
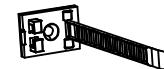
Screws



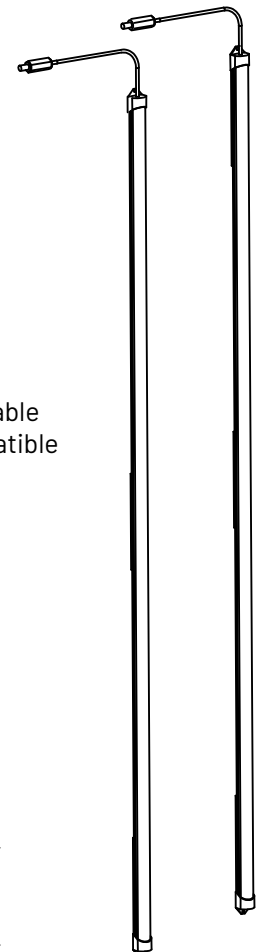
Cover Plate



Y Cable



Cable Ties



Light Strip