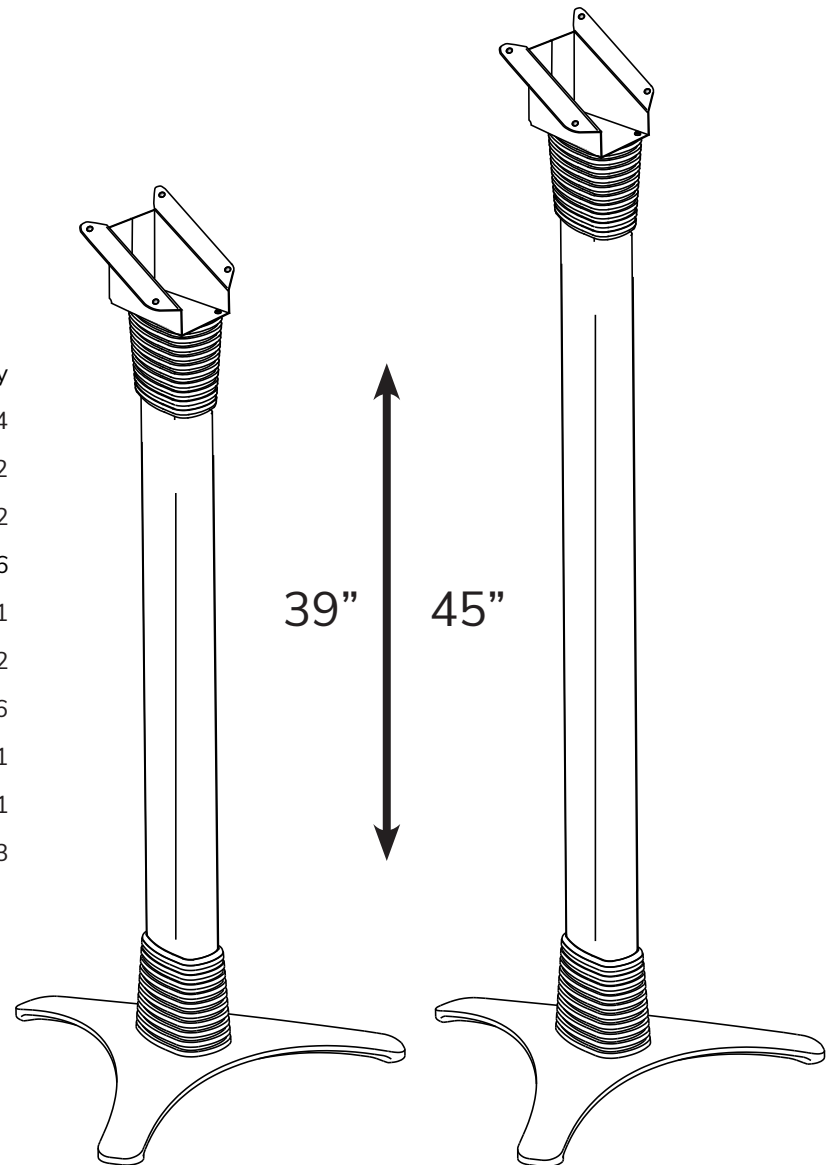
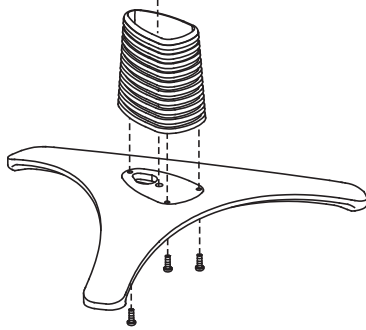


Item	Description	Qty
A	M4 x 8mm Pan Head Phillips Machine Screw	4
B	1/4"-20 x 1-3/4" Pan Head Phillips Machine Screw	2
C	1/4"-20 x 3-3/4" Pan Head Phillips Machine Screw	2
D	#8-16 x 1/2" Pan Head Phillips Self Threading Screw	6
E	Upper Mounting Bracket (100mm)	1
F	Riser Skirt Upper / Lower	2
G	Riser Spacer	6
H	Aluminum Riser	1
I	Cast Iron Base	1
J	Adhesive Backed Rubber Foot Pad	3

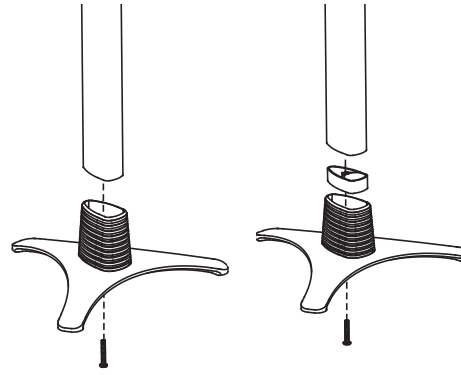


1



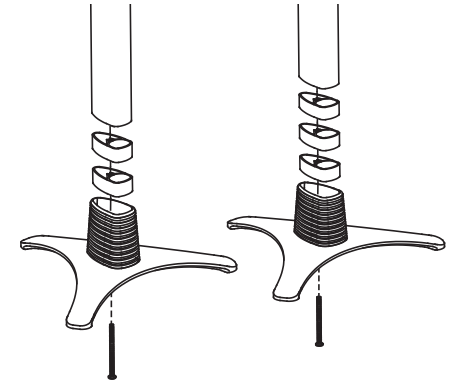
D - #8-16 x 1/2" Pan Head Phillips Self Threading Screw.

2



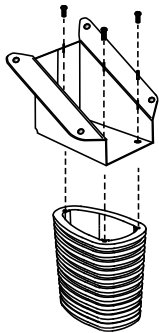
B - 1/4"-20 x 1-3/4" Pan Head Phillips Machine Screw.

3



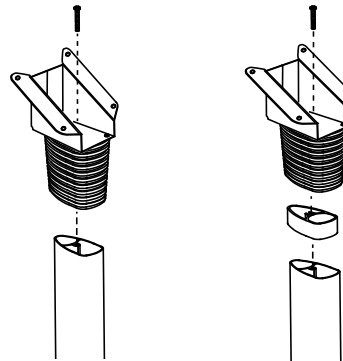
C - 1/4"-20 x 3-3/4" Pan Head Phillips Machine Screw.

4



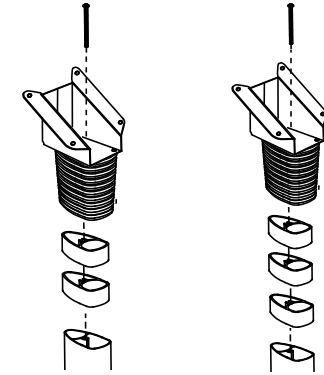
D - #8-16 x 1/2" Pan Head Phillips Self Threading Screw.

5



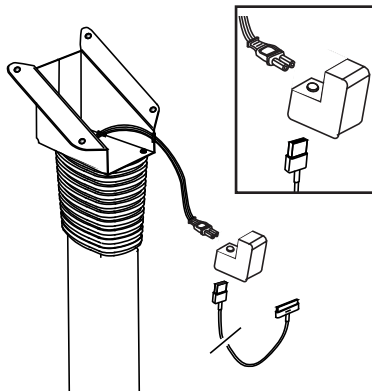
B - 1/4"-20 x 1-3/4" Pan Head Phillips Machine Screw.

6



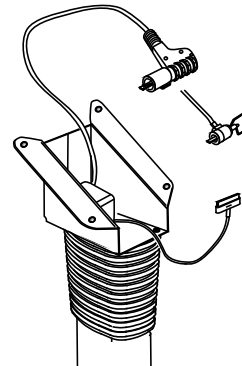
B - 1/4"-20 x 3-3/4" Pan Head Phillips Machine Screw.

7



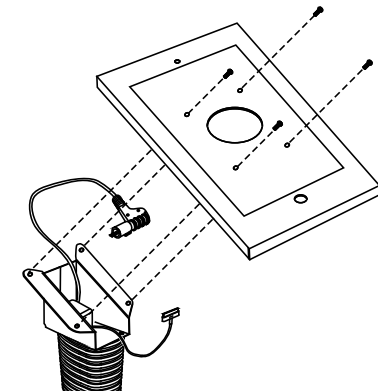
Installation of Recommended C7 Power Cord to iPad USB 30 Pin Power Adapter.

8



Installation of Optional iPad security Combination / Key Cable Locks.

9



iPad Enclosure Not Included

Installation of Optional iPad Enclosure Shown. Use the M4 x 8mm Screws.