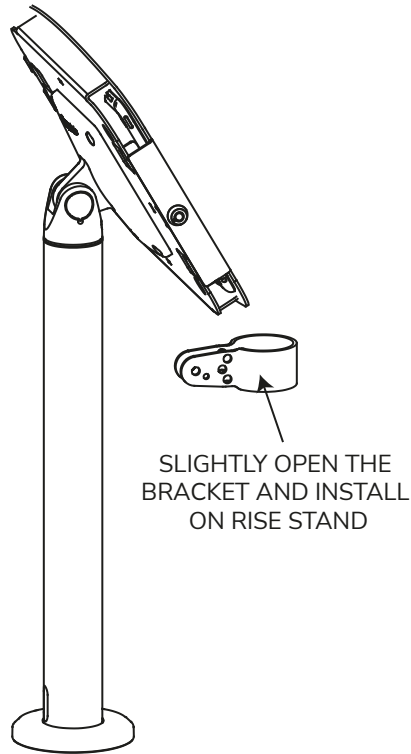
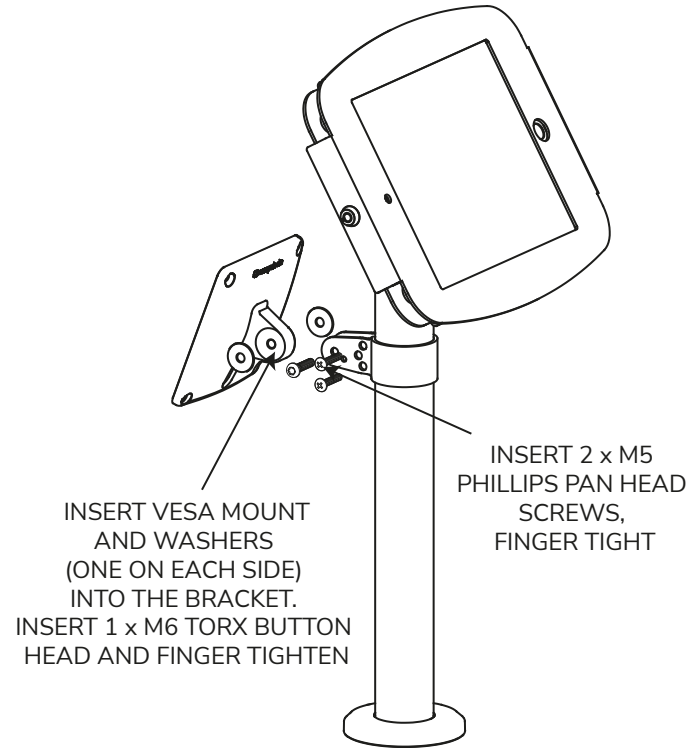


Assembly Instructions

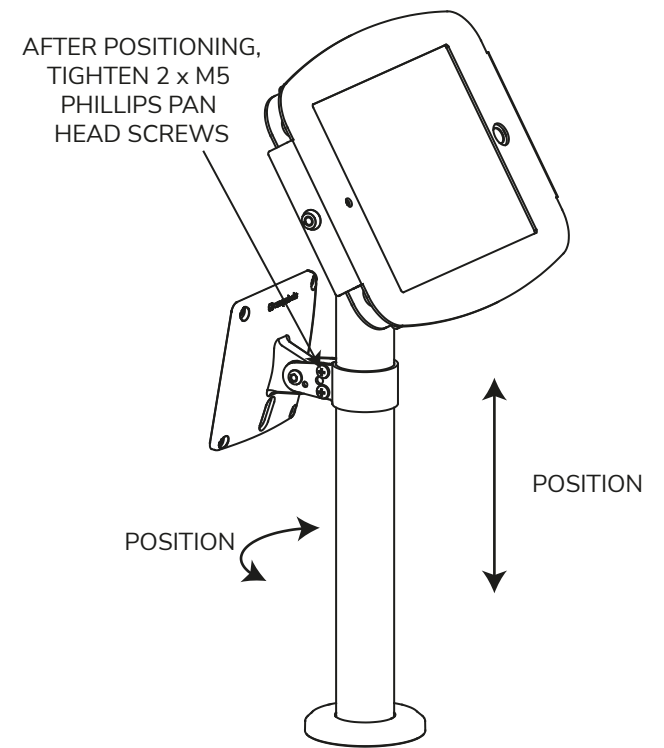
1



2



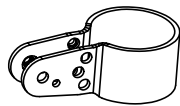
3



IN THE BOX



Washers 100mm Mounting Plate



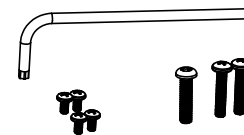
Forward Facing Bracket



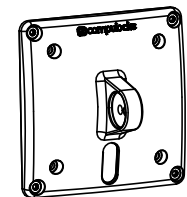
Cover, LH, Forward Facing Bracket



Cover, RH, Forward Facing Bracket

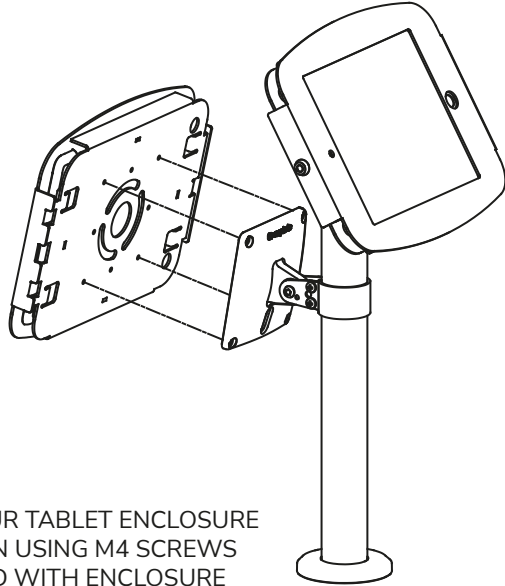


Hardware Kit



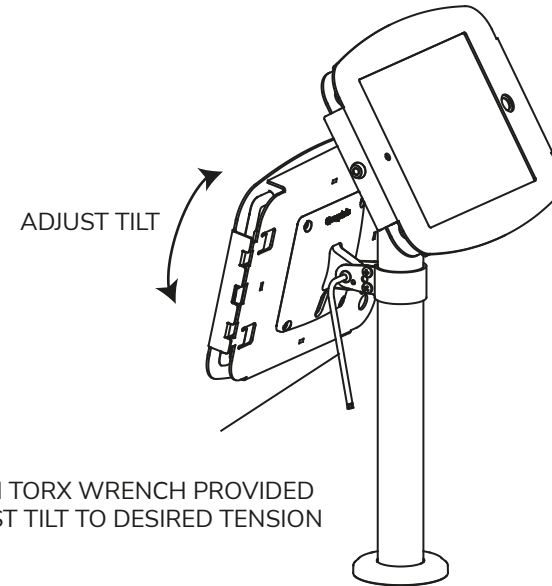
100mm Attachment Bracket

4



INSTALL YOUR TABLET ENCLOSURE
AS SHOWN USING M4 SCREWS
PROVIDED WITH ENCLOSURE

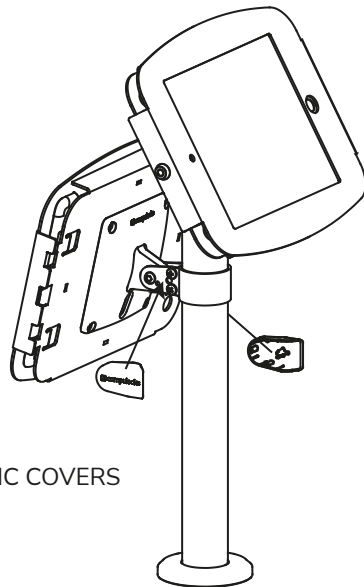
5



ADJUST TILT

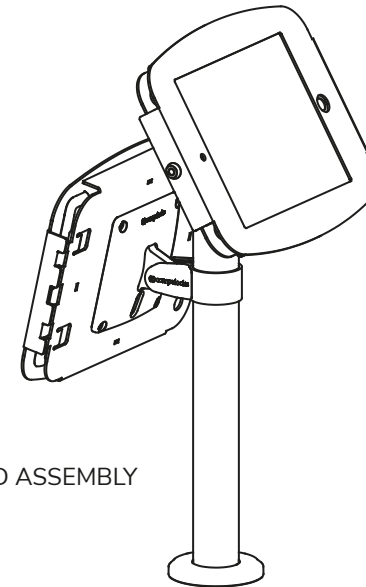
WITH TORX WRENCH PROVIDED
ADJUST TILT TO DESIRED TENSION

6



INSTALL PLASTIC COVERS

7



COMPLETED ASSEMBLY