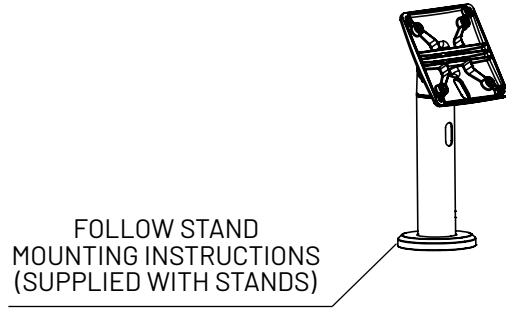


Swell Enclosure

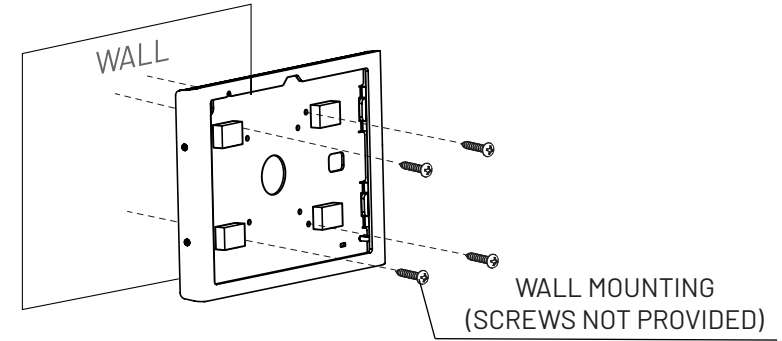
Assembly Instructions

COMPULOCKS

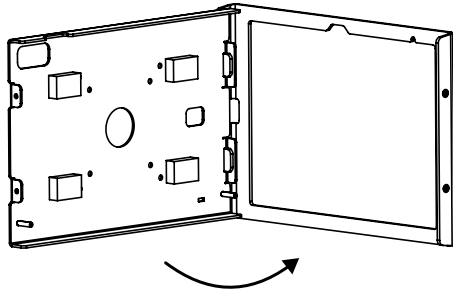
1



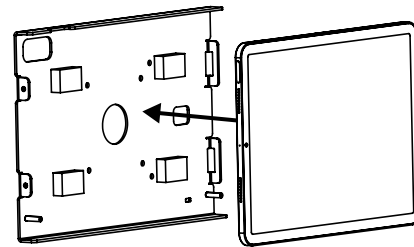
Or



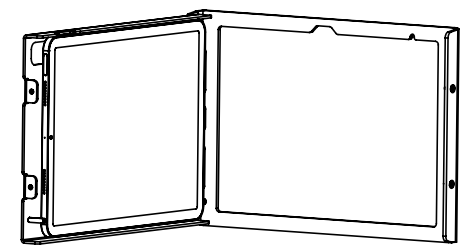
2



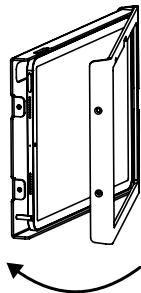
3



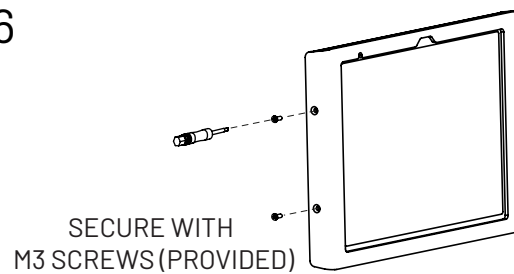
4



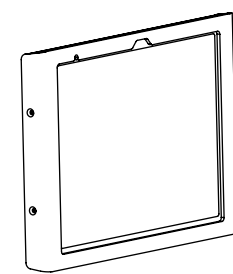
5



6



7



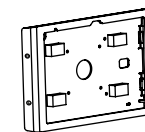
IN THE BOX



Torx Screwdriver

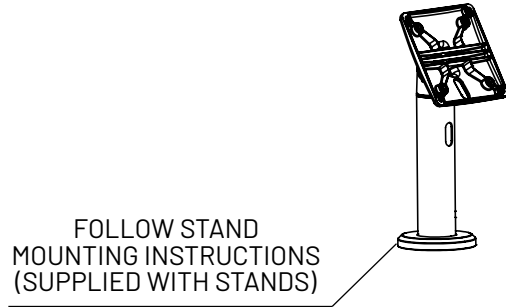


M3x10mm tamper proof screws

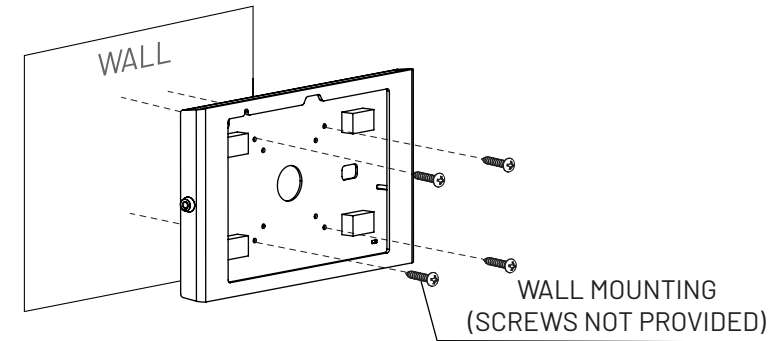


Swell enclosure

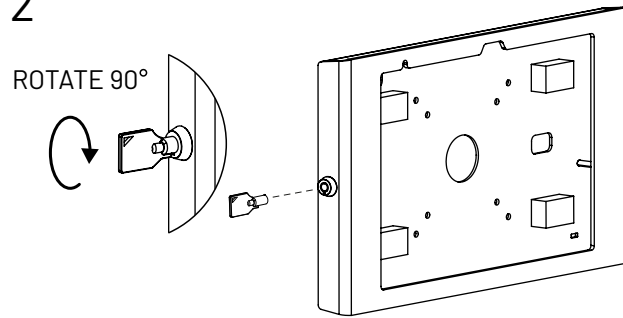
1



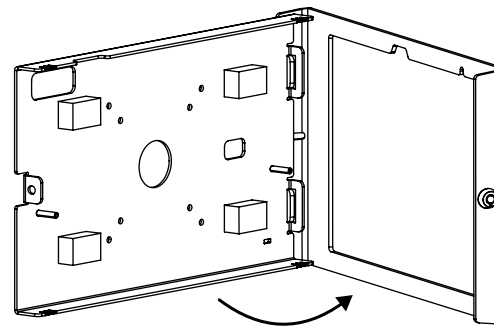
Or



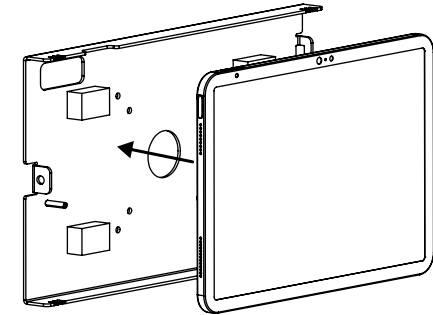
2



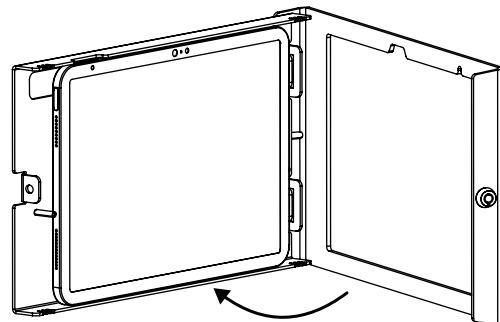
3



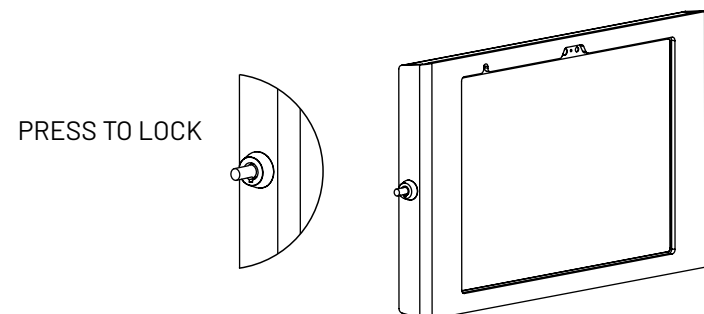
4



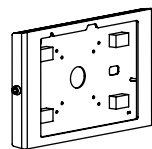
5



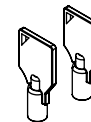
6



IN THE BOX



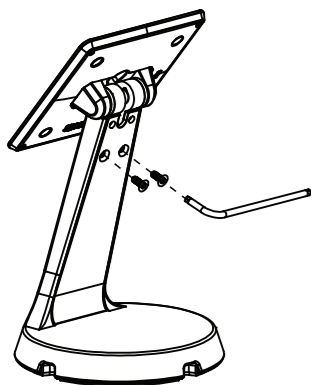
Apex Enclosure



Keys

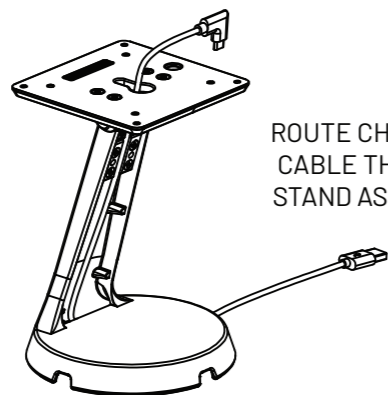
Through Stand Cable Assembly

1



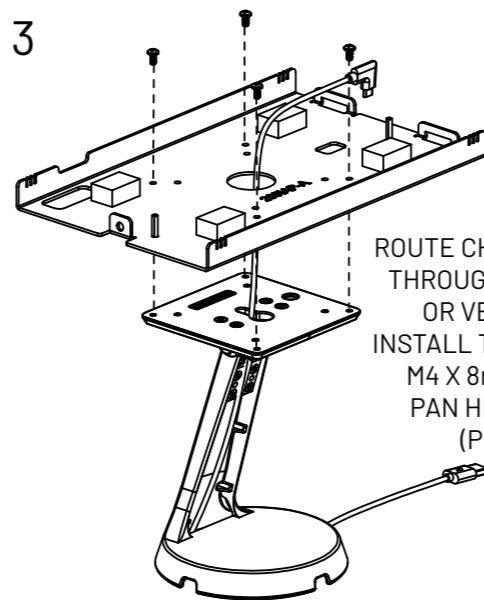
REMOVE FRONT COVER.
USE T-20 TORX
WRENCH (PROVIDED)
TO REMOVE M4 X 10mm
TORX FLAT HEAD SCREWS

2



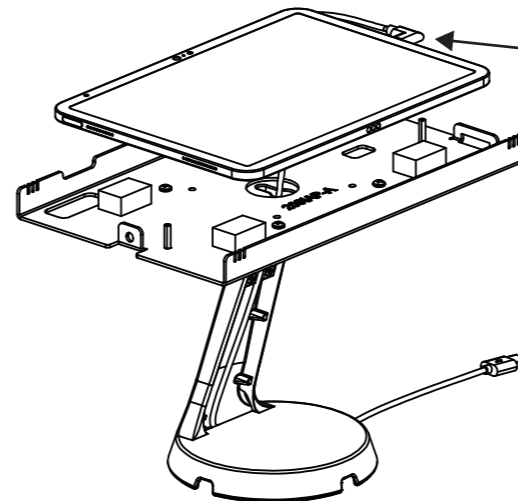
ROUTE CHARGING
CABLE THROUGH
STAND AS SHOWN

3



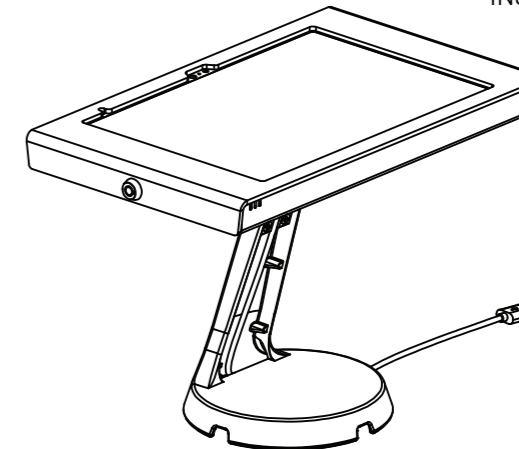
ROUTE CHARGING CABLE
THROUGH ENCLOSURE
OR VESA MOUNT.
INSTALL TO STAND USING
M4 X 8mm PHILLIPS
PAN HEAD SCREWS
(PROVIDED)

4



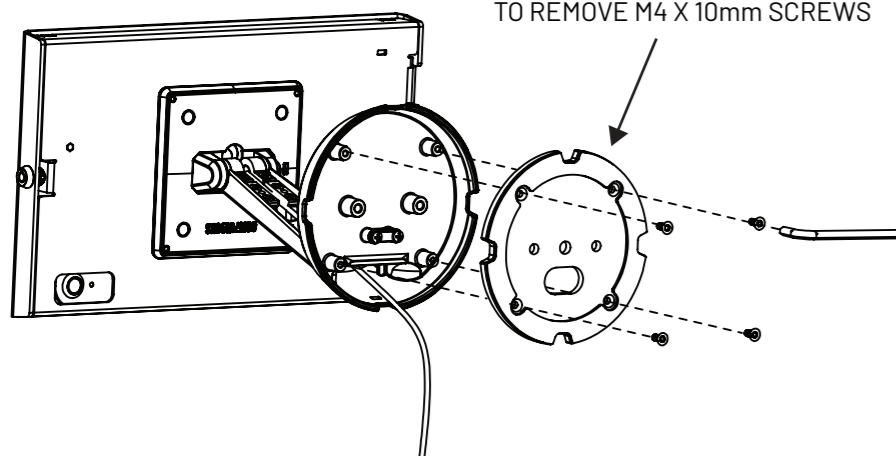
ATTACH CHARGING CABLE
TO TABLET, LEAVE A SMALL LOOP
OF CABLE BENEATH THE TABLET

5



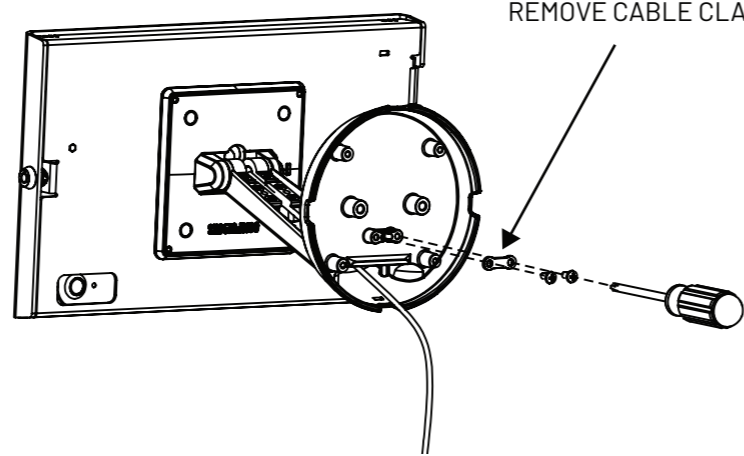
INSTALL THE REST OF THE ENCLOSURE
OR VESA MOUNT
PER THEIR INSTRUCTIONS

6



REMOVE BOTTOM PLATE.
USE T-20 TORX WRENCH (PROVIDED)
TO REMOVE M4 X 10mm SCREWS

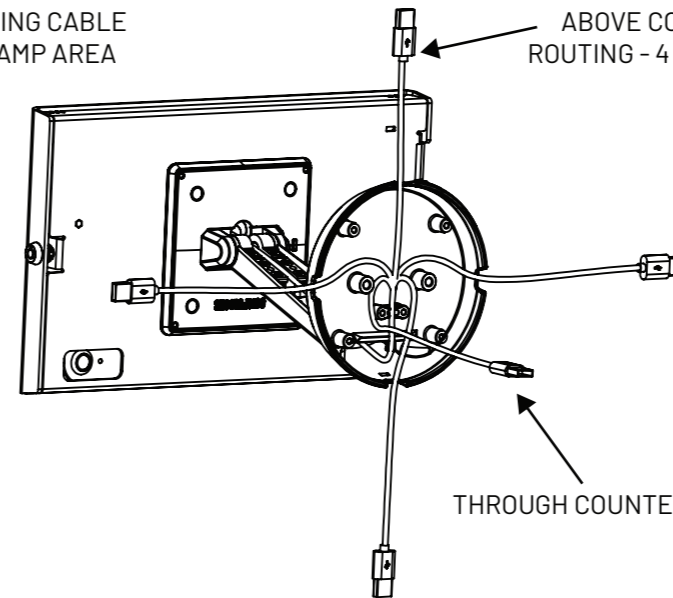
7



REMOVE CABLE CLAMP

8

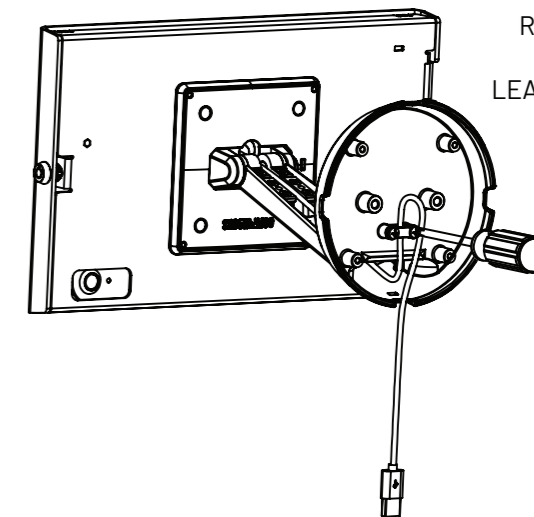
ROUTE CHARGING CABLE
THROUGH CLAMP AREA



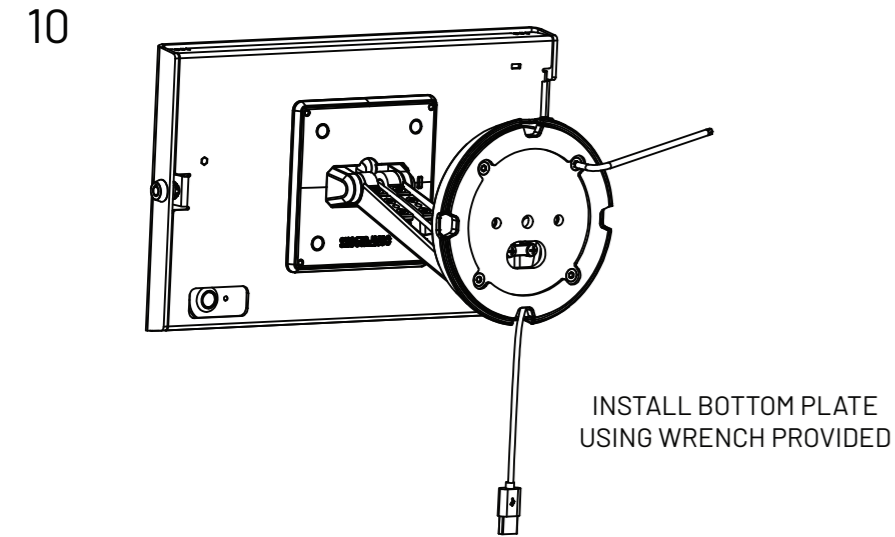
ABOVE COUNTER
ROUTING - 4 POSITIONS

THROUGH COUNTER ROUTING

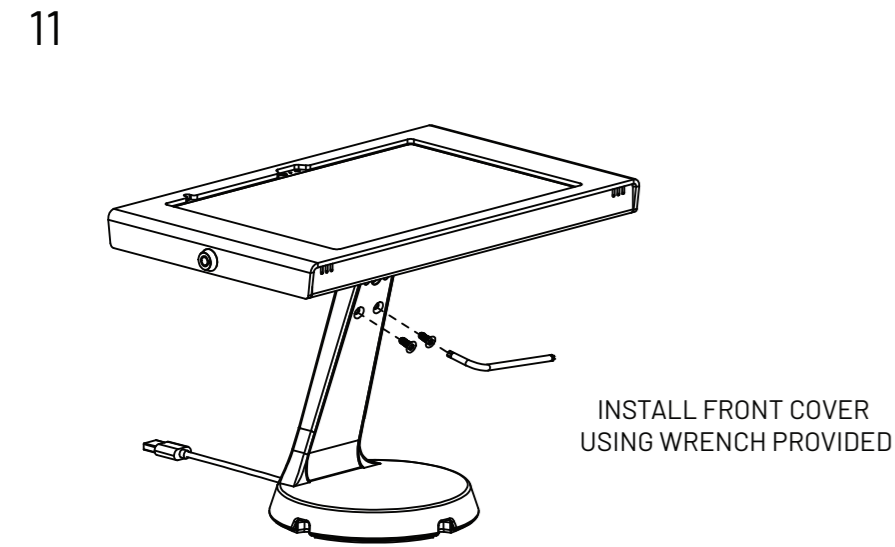
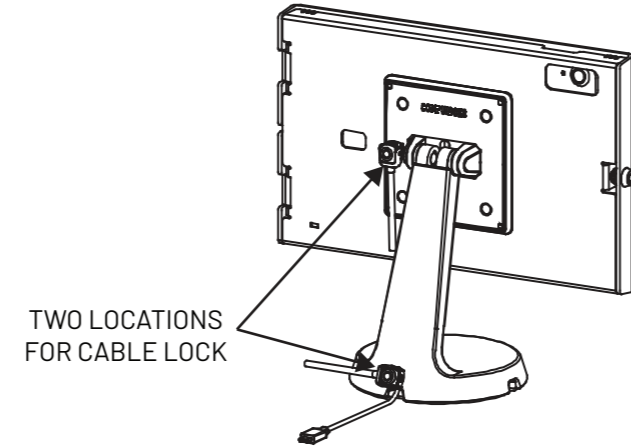
9



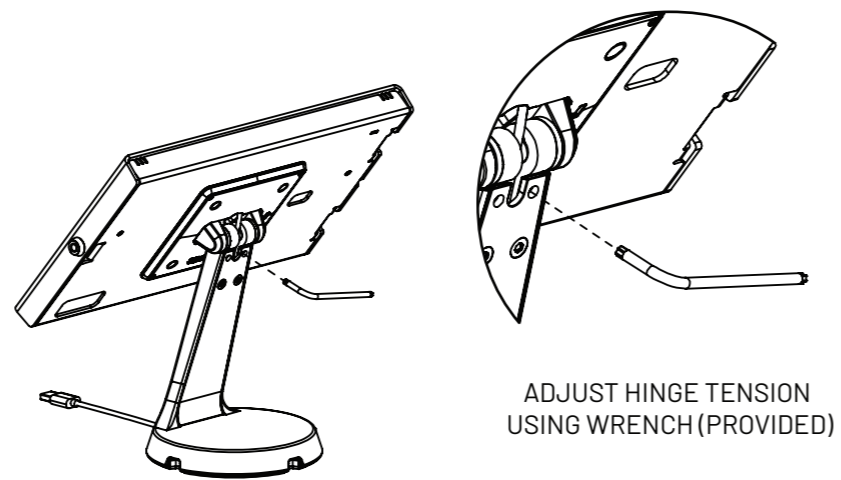
REINSTALL CABLE CLAMP
DO NOT OVER TIGHTEN
LEAVE SLACK IN POWER CORD
BELOW CLAMP



Securing Stand Using Cable Lock



Tilt Tension Adjustment



Secure Counter Mounting

