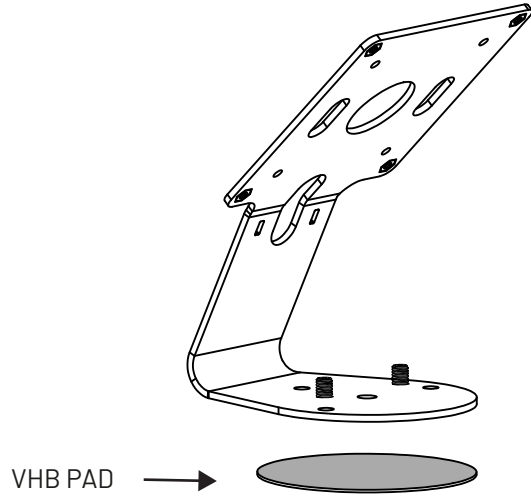
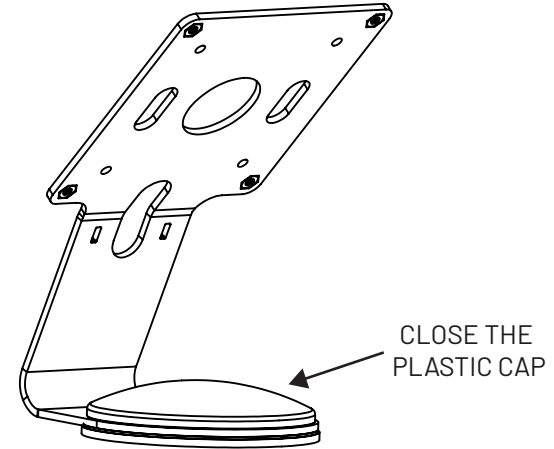


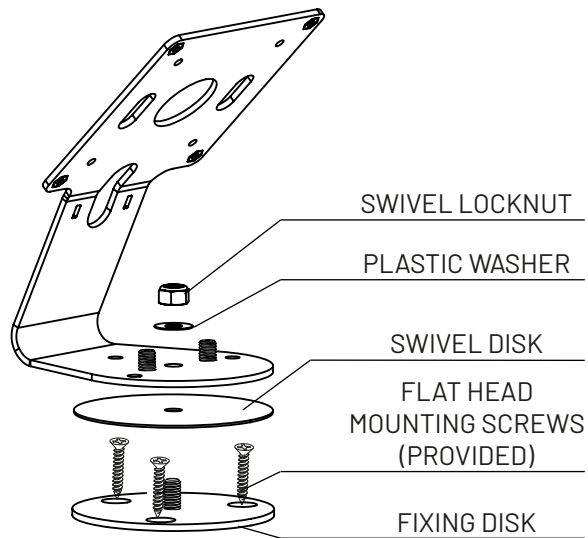
### Fixed Mounting



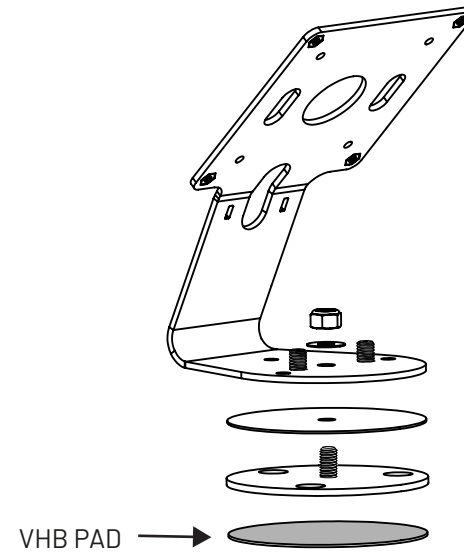
PRIOR TO INSTALL OF VHB PAD CLEAN BOTH MOUNTING SURFACES USING ALCOHOL PADS PROVIDED



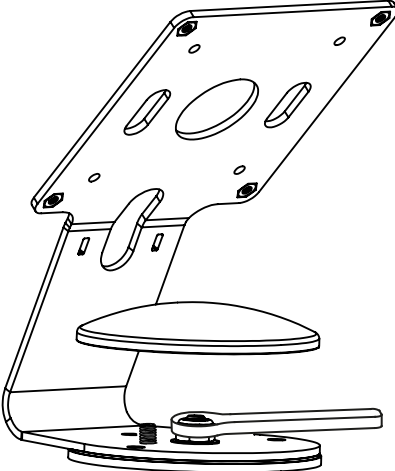
### Swivel Mounting



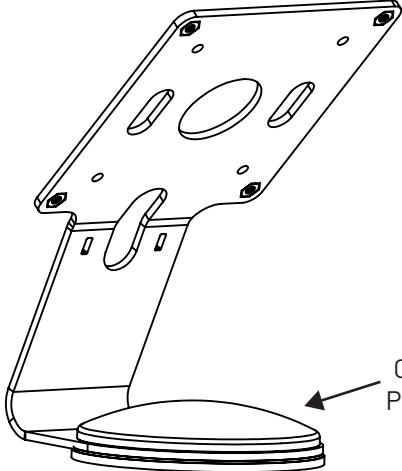
OR



PRIOR TO INSTALL OF VHB PAD CLEAN BOTH MOUNTING SURFACES USING ALCOHOL PADS PROVIDED



TIGHTEN THE SWIVEL LOCKNUT



CLOSE THE PLASTIC CAP

IN THE BOX



Mounting screws



VHB Pad



Fixing Disk



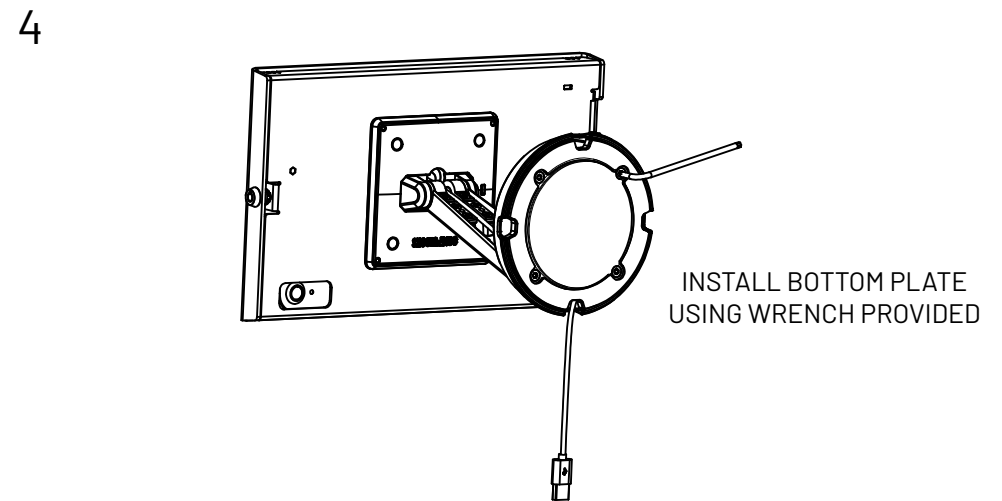
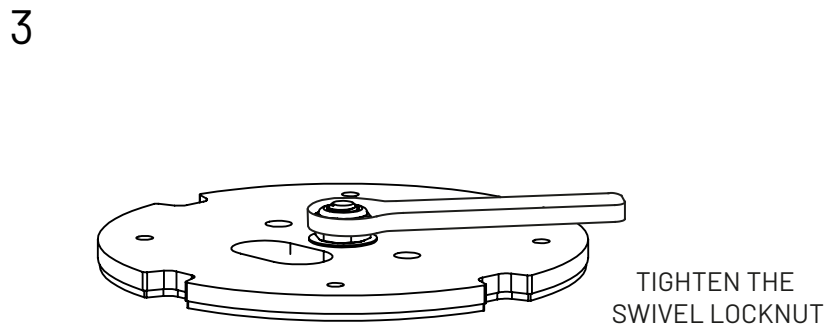
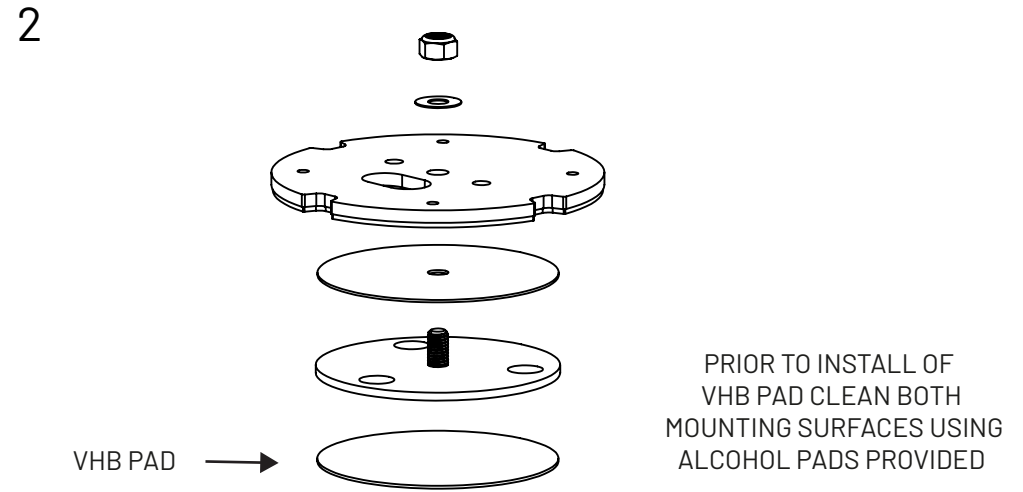
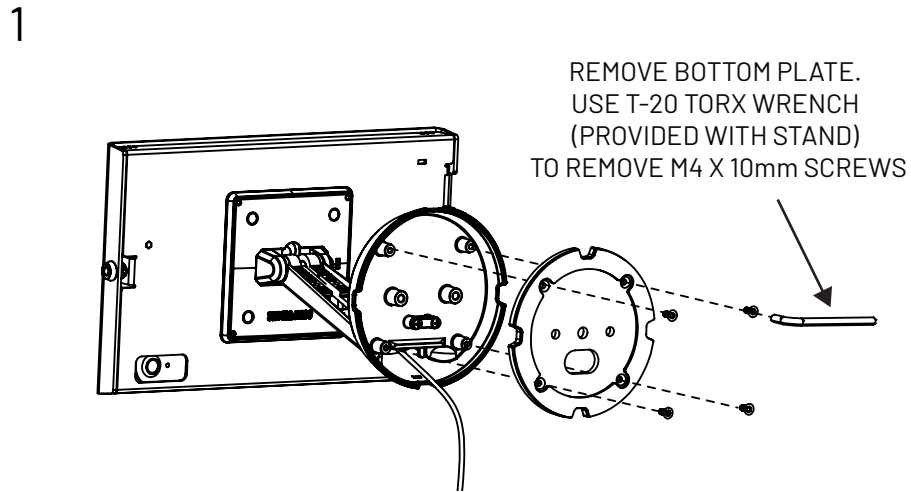
Swivel Disk



Plastic Washer



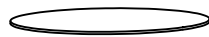
Swivel Locknut



### IN THE BOX



Mounting screws  
(Do Not Use)



VHB Pad



Fixing Disk



Swivel Disk



Plastic  
Washer



Swivel  
Locknut