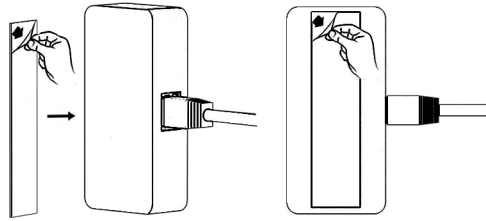
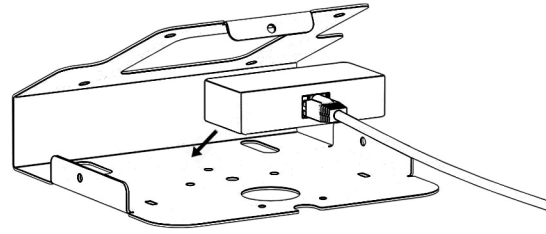


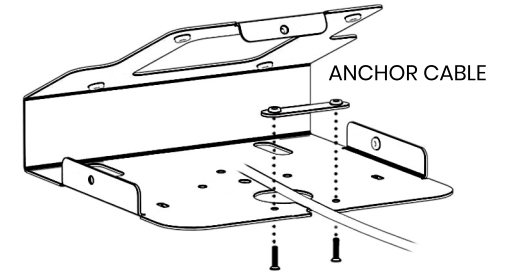
0 IF YOU USE POE



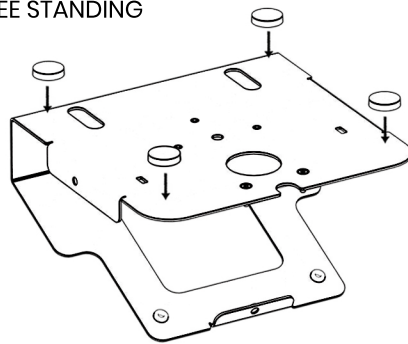
PLACE HERE



1

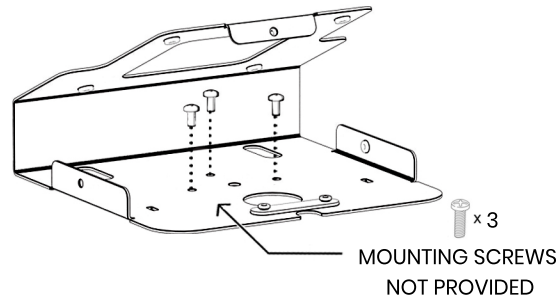


2.1 FREE STANDING



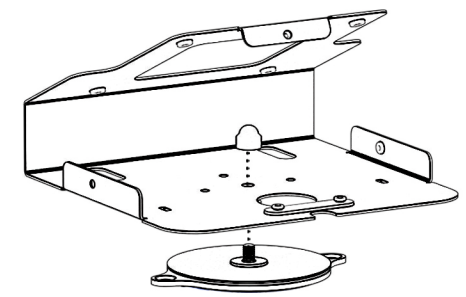
2.2 TABLE MOUNTED

or

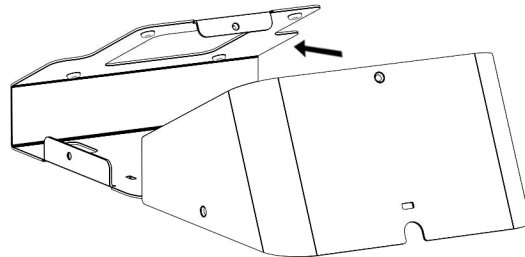


2.3 SWIVEL BASE (optional add on)

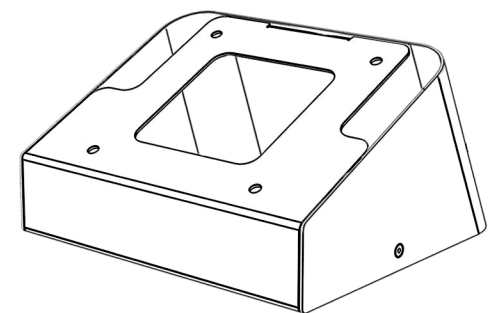
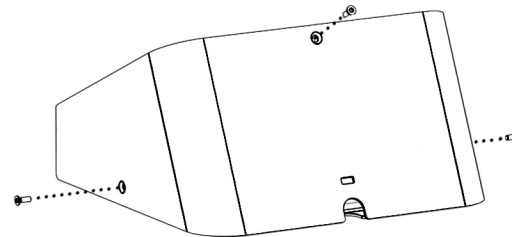
or



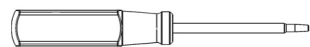
5



6



IN THE BOX



Screwdriver



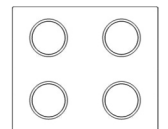
Tamper proof screws



Enclosure mounting screws

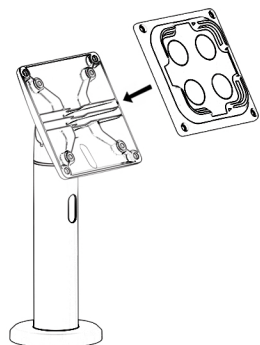


Tape-double sided

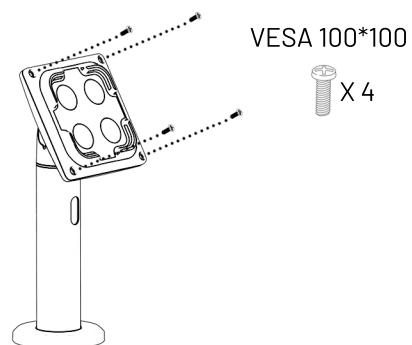


Bumper legs pack

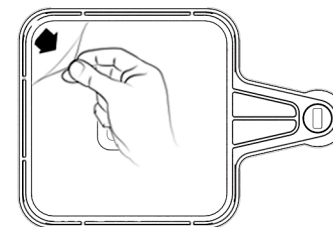
1



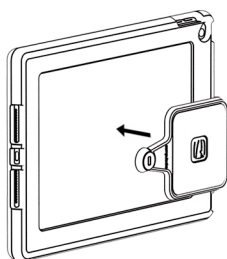
2



3



4

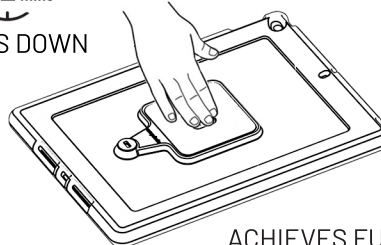


CLEAN MOUNTING AREA
WITH ALCOHOL WIPES PROVIDED

5

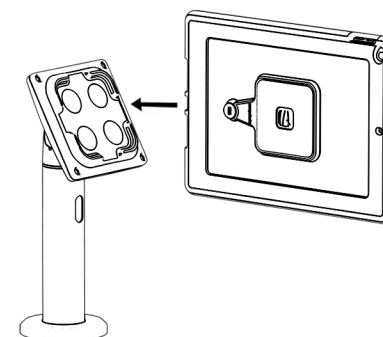


PRESS DOWN

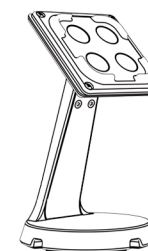
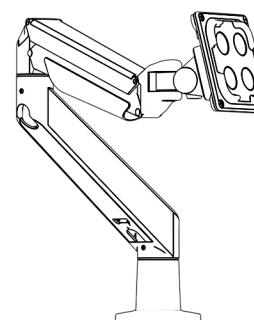
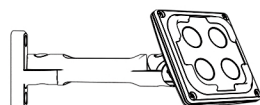
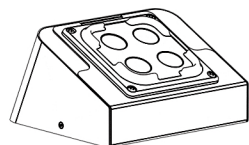


ACHIEVES FULL STRENGTH
AFTER 24 HOURS

6



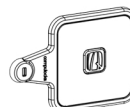
FITS VESA 100*100 MOUNT STANDS



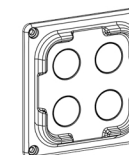
IN THE BOX



Alcohol Wipes



Tablet Bracket



Stand Bracket