

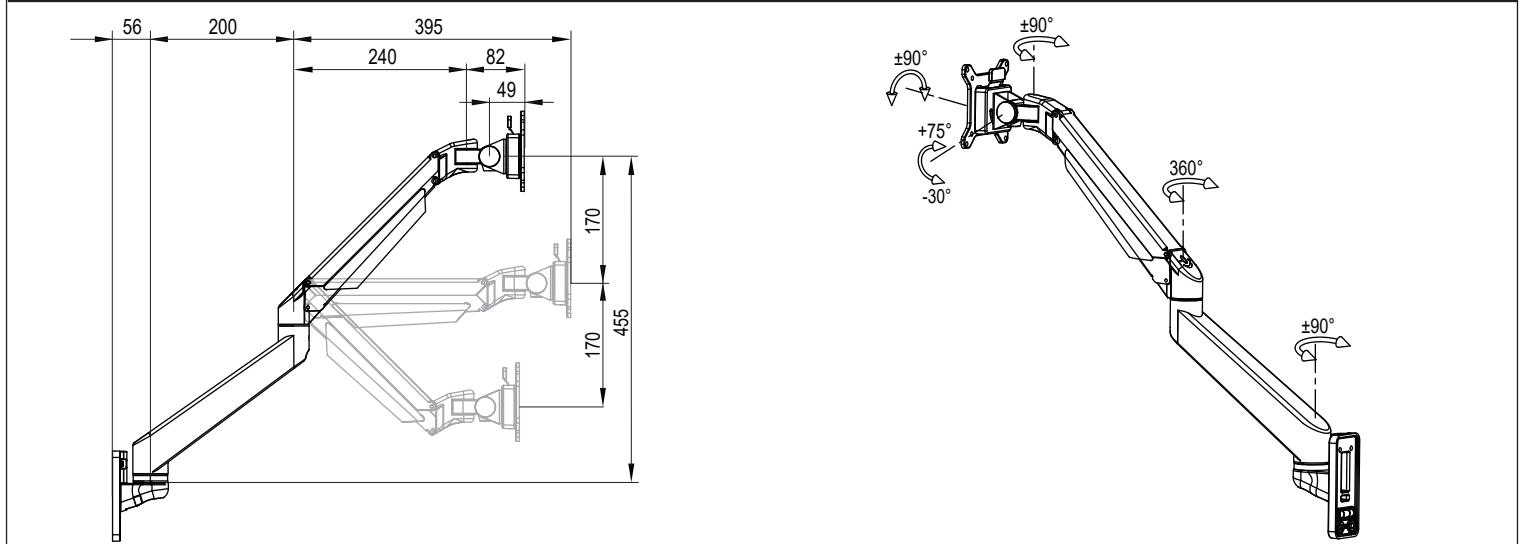
LCD Monitor Arm // Installation Manual

Product name: Articulating Monitor Arm Mount - Reach SKU:660REACH

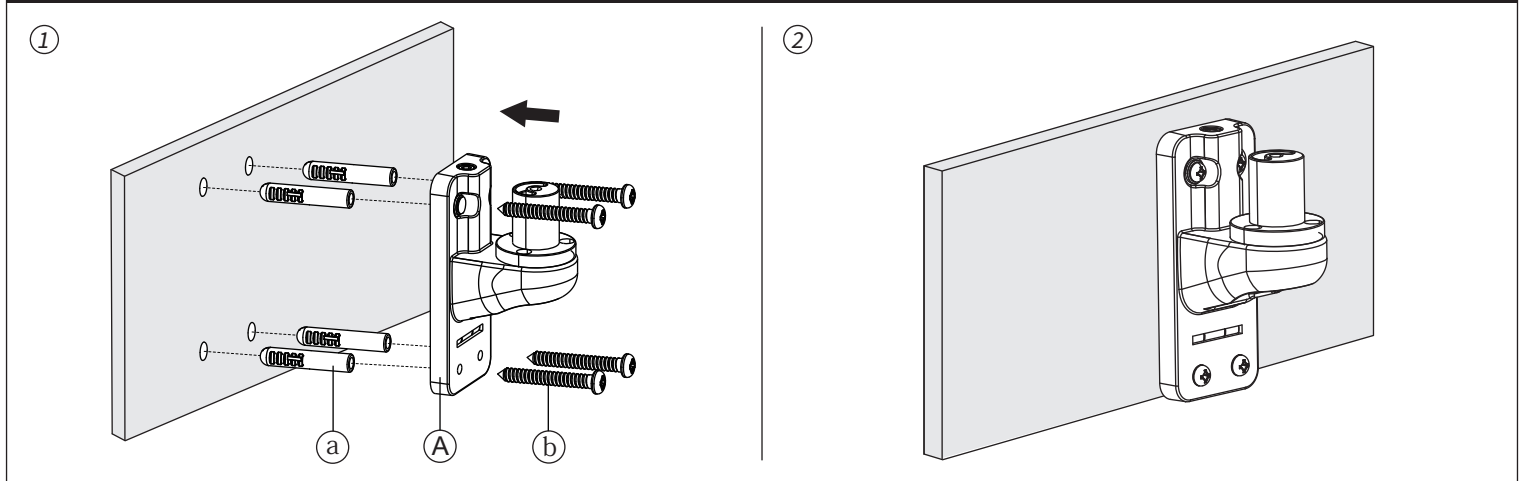
Product Specification

Sketch											
Item	Monitor size	Weight range (kg)	Lift(mm)	Tilt	Swivel	Pivot	VESA	Packing size (mm)	N.W(kg)	G.W(kg)	Hole layout (mm)
Specification	≤30"	2-10	340	+75°~ -30°	±90°	±90°	75*75	Inner: 475*195*140	Inner: 2.6	Inner: 3.1	28.6x104
		8-20						Outer: 490*210*440			

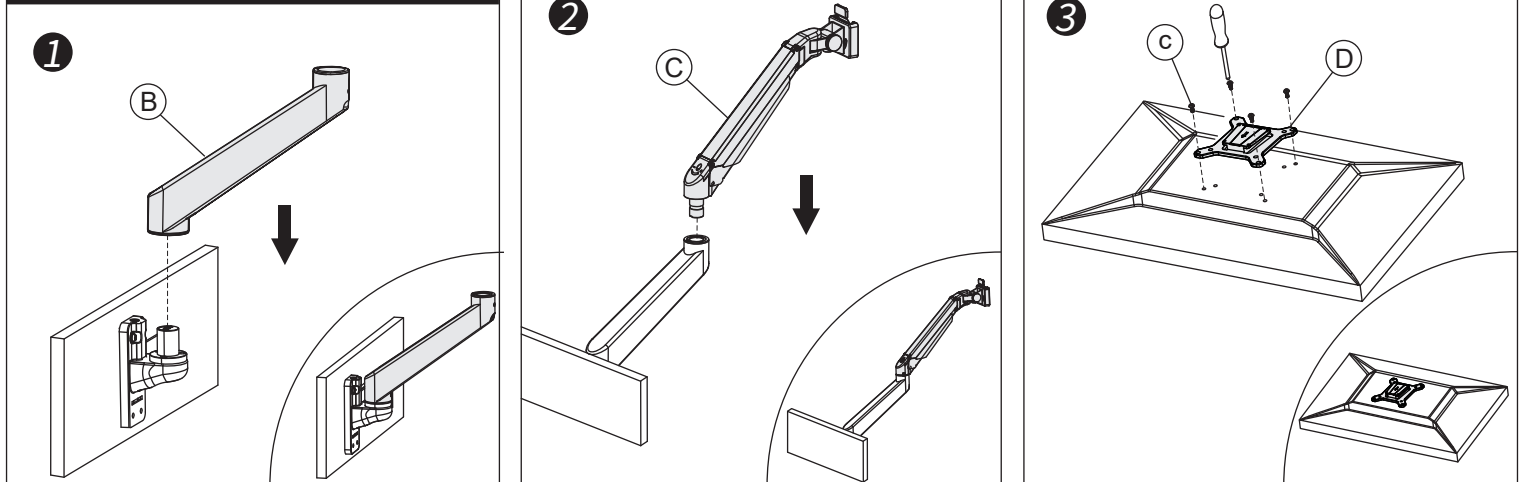
Product Size

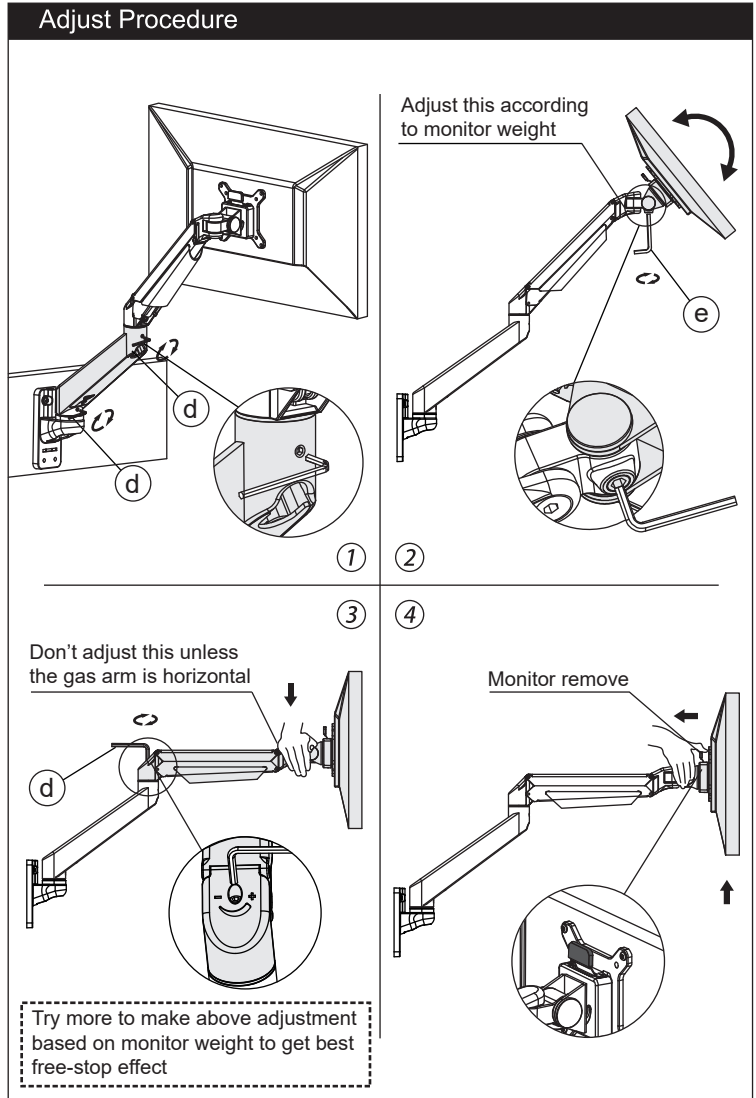
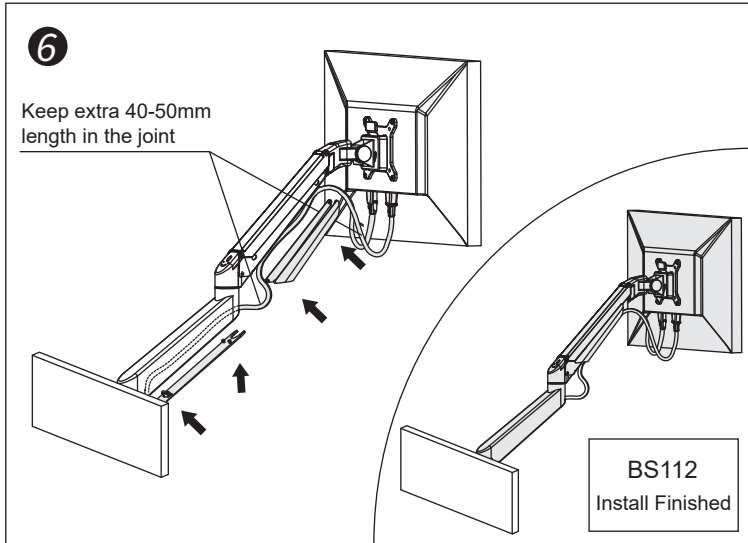
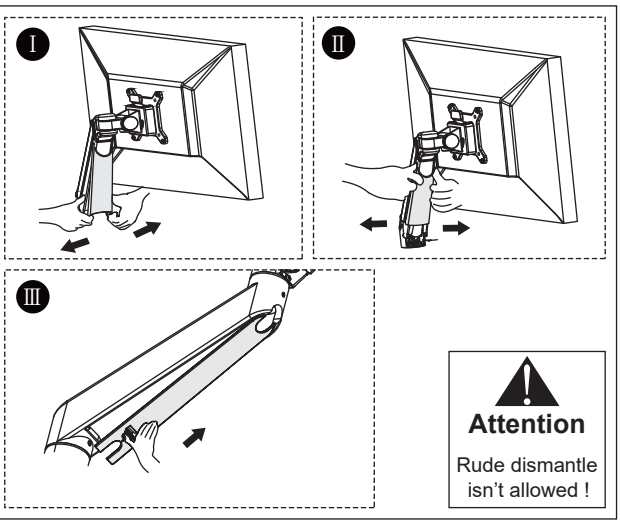
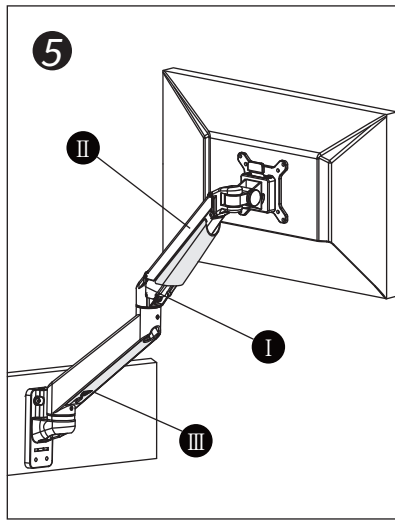
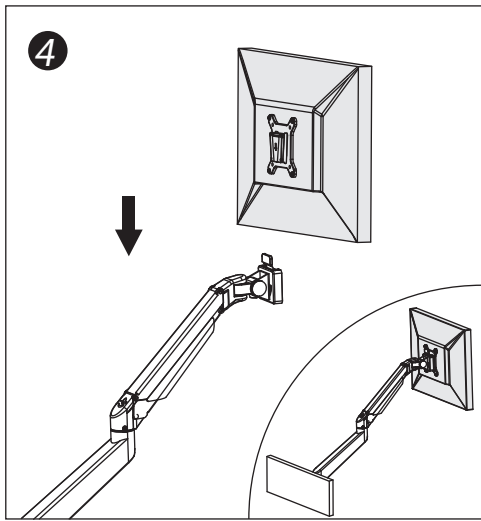


Installation of Wall-fixed Base



Install Procedure





Module List			
No.	Sketch	Specs	Quantity
A			1
B			1
C			1
D			1

Part List			
No.	Sketch	Specs	Quantity
a		Ø10x40	4
b		M6x40	4
c		M4x12	4
d		M4	1
e		M6	1